

1080A Stainless Steel (CF8M / S.S 316) Three Piece Design Ball Valve, Class-150 (Screwed)

Salient Features

- Design Standard BS EN ISO 17292 (BS 5351).
- Screwed Female Ends to BSPT / NPT / Socket Weld.
- Reduced Bore, Three Piece Design.
- Superb in Quality and Performance.

Test Pressure (Hydrostatic) :

Shell : 31 kg/cm²g (440 psig)

Maximum Working Pressure : 21 kg/cm²g (300 psig)

Seat (Pneumatic) : 7kg/cm²g (100 psig)

Maximum Working Temperature : 220°C

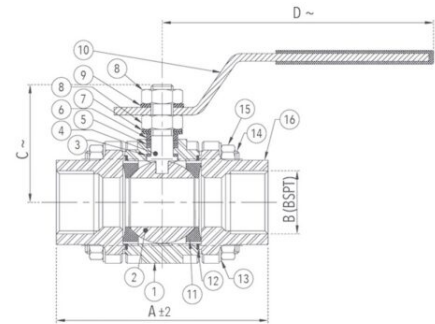
Suitable For

Steam, Water, Oil, Air, Gases



Materials

P.No.	Name of Part	Material of Construction	Specification	Qty.
1	Body	Stainless Steel	ASTM A 351 Gr. CF8M	1
2	Ball	Stainless Steel	ASTM A276 Type 316 / ASTM A 351 Gr. CF8M	1
3	Thrust Washer	PTFE 35% Carbon Filled	---	1
4	Stem	Stainless Steel	ASTM A276 Type 316	1
5	Packing Ring	PTFE 35% Carbon Filled	---	2
6	Gland	Stainless Steel	ASTM A276 Type 304	1
7	Cup Washer	Stainless Steel	ASTM A276 Type 304	2
8	Nut	H.T. Steel	ASTM A 194 Gr. 2H	2
9	Spring Washer	Spring Steel	EN 47 Gr. B	1
10	Lever	Carbon Steel	---	1
11	Body Seat Ring	PTFE	---	2
12	Gasket	PTFE	---	2
13	Spring Washer	Spring Steel	EN 47 Gr. B	8
14	Studs	Alloy Steel	ASTM A 193 Gr. B7	4
15	Nuts	H.T Steel	ASTM A 194 Gr. 2H	8
16	End Connector	Stainless Steel	ASTM A 351 Gr. CF8M	2



Sizes / Dimensions

Size (Inches)	Size (mm)	A ±2	B	C ~	D ~
1/2	15	69	1/2"	38	112
3/4	20	73	3/4"	40	125
1	25	95	1"	57	168
1 1/4	32	105	1 1/4"	65	168
1 1/2	40	115	1 1/2"	75	177
2	50	128	2"	80	220

~ ±10

1080B Stainless Steel (CF8M / S.S 316) Three Piece Design Ball Valve, Class-150 (Flanged)

Salient Features

- Design Standard BS EN ISO 17292 (BS 5351).
- Flanged Ends to ASME B B16.5 Class - 150 (Drilled).
- Three Piece Design.
- Superb in Quality and Performance.

Test Pressure (Hydrostatic) :

Shell : 31 kg/cm²g (440 psig)

Maximum Working Pressure : 21 kg/cm²g (300 psig)

Seat (Pneumatic) : 7 kg/cm²g (100 psig)

Maximum Working Temperature : 220°C

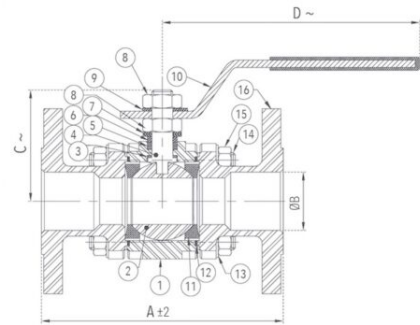
Suitable For

Steam, Water, Oil, Air, Gases



Materials

P.No.	Name of Part	Material of Construction	Specification	Qty.
1	Body	Stainless Steel	ASTM A 351 Gr. CF8M	1
2	Ball	Stainless Steel	ASTM A 276 Type 316 / ASTM A 351 Gr. CF8M	1
3	Thrust Washer	PTFE 35% Carbon Filled	---	1
4	Stem	Stainless Steel	ASTM A 276 Type 316	1
5	Packing Ring	PTFE 35% Carbon Filled	---	2
6	Gland	Stainless Steel	ASTM A 276 Type 316	1
7	Cup Washer	Stainless Steel	AISI A276 Type 316	2
8	Nut	H.T. Steel	ASTM A 194 Gr. 2H	2
9	Spring Washer	Spring Steel	EN 47 Gr. B	1
10	Lever	Carbon Steel	---	1
11	Body Seat Ring	PTFE	---	2
12	Gasket	PTFE	---	2
13	Spring Washer	Spring Steel	EN 47 Gr. B	8
14	Studs	Alloy Steel	ASTM A 193 Gr. B7	4
15	Nuts	H.T Steel	ASTM A 194 Gr. 2H	8
16	End Connector	Stainless Steel	ASTM A 351 Gr. CF8M	2



Sizes / Dimensions

Size (Inches)	Size (mm)	A ±2	B	C ~	D ~
1/2	15	108	15	38	150
3/4	20	117	20	40	150
1	25	127	25	57	160
1 1/4	32	140	32	65	160
1 1/2	40	165	40	75	202
2	50	178	50	75	202
2 1/2*	65	191	63.5	125	250
3*	80	203	76	137	335
4*	100	229	100	158	335

~ ±10

*Full Bore

1081 Stainless Steel (CF8 / S.S 304) Three Piece Design Ball Valve, Class-150 (Screwed)

Salient Features

- Design Standard BS EN ISO 17292 (BS 5351).
- Screwed Female Ends to BSPT / NPT / Socket Weld.
- Reduced Bore, Three Piece Design.
- Superb in Quality and Performance.

Test Pressure (Hydrostatic) :

Shell : 31 kg/cm²g (440 psig)

Maximum Working Pressure : 21 kg/cm²g (300 psig)

Seat (Pneumatic) : 7kg/cm²g (100 psig)

Maximum Working Temperature : 220°C

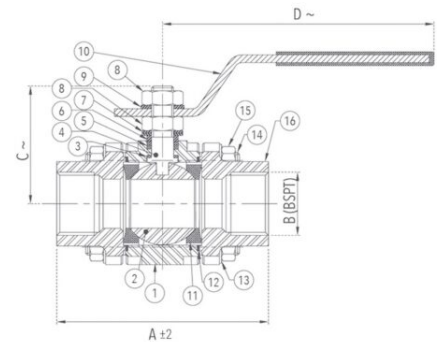
Suitable For

Steam, Water, Oil, Air, Gases



Materials

P.No.	Name of Part	Material of Construction	Specification	Qty.
1	Body	Stainless Steel	ASTM A 351 Gr. CF8	1
2	Ball	Stainless Steel	ASTM A276 Type 304 / ASTM A 351 Gr. CF8	1
3	Thrust Washer	PTFE 35% Carbon Filled	---	1
4	Stem	Stainless Steel	ASTM A276 Type 316	1
5	Packing Ring	PTFE 35% Carbon Filled	---	2
6	Gland	Stainless Steel	ASTM A276 Type 304	1
7	Cup Washer	Stainless Steel	ASTM A276 Type 304	2
8	Nut	H.T Steel	ASTM A 194 Gr. 2H	2
9	Spring Washer	Spring Steel	EN 47 Gr. B	1
10	Lever	Carbon Steel	---	1
11	Body Seat Ring	PTFE	---	2
12	Gasket	PTFE	---	2
13	Spring Washer	Spring Steel	EN 47 Gr. B	8
14	Studs	Alloy Steel	ASTM A 193 Gr. B7	4
15	Nuts	H.T Steel	ASTM A 194 Gr. 2H	8
16	End Connector	Stainless Steel	ASTM A 351 Gr. CF8	2



Sizes / Dimensions

Size (Inches)	Size (mm)	A ±2	B	C ~	D ~
1/2	15	69	1/2"	38	112
3/4	20	73	3/4"	40	125
1	25	95	1"	57	168
1 1/4	32	105	1 1/4"	65	168
1 1/2	40	115	1 1/2"	75	177
2	50	128	2"	80	220

~ ±10

1081A Stainless Steel (CF8 / S.S-304) Three Piece Design Ball Valve, Class-150 (Flanged)

Salient Features

- Design Standard BS EN ISO 17292 (BS 5351).
- Flanged Ends to ASME B B16.5 Class-150 (Drilled).
- Three Piece Design.
- Superb in Quality and Performance.

Test Pressure (Hydrostatic) :

Shell : 31 kg/cm²g (440 psig)

Maximum Working Pressure : 21 kg/cm²g (300 psig)

Seat (Pneumatic) : 7 kg/cm²g (100 psig)

Maximum Working Temperature : 220°C

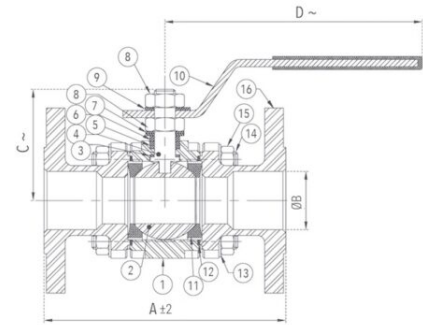
Suitable For

Steam, Water, Oil, Air, Gases



Materials

P.No.	Name of Part	Material of Construction	Specification	Qty.
1	Body	Stainless Steel	ASTM A 351 Gr. CF8	1
2	Ball	Stainless Steel	ASTM A 276 Type 304 / ASTM A 351 Gr. CF8	1
3	Thrust Washer	PTFE 35% Carbon Filled	---	1
4	Stem	Stainless Steel	ASTM A 276 Type 316	1
5	Packing Ring	PTFE 35% Carbon Filled	---	2
6	Gland	Stainless Steel	ASTM A 276 Type 304	1
7	Cup Washer	Stainless Steel	AISI A276 Type 304	2
8	Nut	H.T Steel	ASTM A 194 Gr. 2H	2
9	Spring Washer	Spring Steel	EN 47 Gr. B	1
10	Lever	Carbon Steel	---	1
11	Body Seat Ring	PTFE	---	2
12	Gasket	PTFE	---	2
13	Spring Washer	Spring Steel	EN 47 Gr. B	8
14	Studs	Alloy Steel	ASTM A 193 Gr. B7	4
15	Nuts	H.T Steel	ASTM A 194 Gr. 2H	8
16	End Connector	Stainless Steel	ASTM A 351 Gr. CF8	2



Sizes / Dimensions

Size (Inches)	Size (mm)	A ±2	B	C ~	D ~
1/2	15	108	15	38	150
3/4	20	117	20	40	150
1	25	127	25	57	160
1 1/4	32	140	32	65	160
1 1/2	40	165	40	75	202
2	50	178	50	80	202
2 1/2*	65	191	63.5	125	250
3*	80	203	76	137	335
4*	100	229	100	158	335

~ ±10

*Full Bore

1086 Stainless Steel Thermodynamic Steam Trap (Screwed) I.B.R

Salient Features

- Screwed Female Ends to BSPT.
- Superior Quality Investment Casting.
- Provided with integral strainer.
- Stainless Steel (S.S 304) 0.5 mm hole diameter perforated sheet screen for trouble free service.
- Mirror finished moving disc.

Test Pressure (Hydrostatic) :

Shell : 51 bar (740 psig)

Maximum Working Pressure (Steam) : 31 bar (450 psig)

Maximum Working Temperature : 425°C

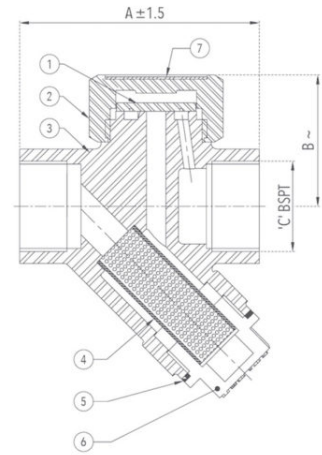
Suitable For

Steam



Materials

P.No.	Name of Part	Material of Construction	Specification	Qty.
1	Disc	Stainless Steel	ASTM A 276 Type 410	1
2	Cover	Stainless Steel	ASTM A 743 Gr. CA40	1
3	Body	Stainless Steel	ASTM A 743 Gr. CA40	1
4	Screen (Ø0.5 mm Perforation)	Stainless Steel	Type 304	1
5	Gasket	PTFE / Steam Jointing Sheet	--- / IS 2712 Gr. W/3	1
6	Plug	Stainless Steel	ASTM A 743 Gr. CA40	1
7	Name Plate	Aluminium	---	1



Sizes / Dimensions

Size (Inches)	Size (mm)	A ±1.5	B ~	C
1/2	15	77	47	1/2"
3/4	20	77	47	3/4"
1	25	86	47	1"

~ ±10

1093A Stainless Steel S.S 304 Landing (Fire Hydrant) Valve (Flanged)

Salient Features

- Design Standard IS 5290.
- Confirming to Type A specification.
- Screwed in Bonnet having instantaneous coupling with single outlet.
- PTFE Gland Packing for longer life and smooth operation of stem.
- Large flow way area to get full flow of water.
- Leakage proof by virtue of elastomer seat.
- Smooth operation of blank cap for quick mounting of water pipe.
- Life long rust free service.

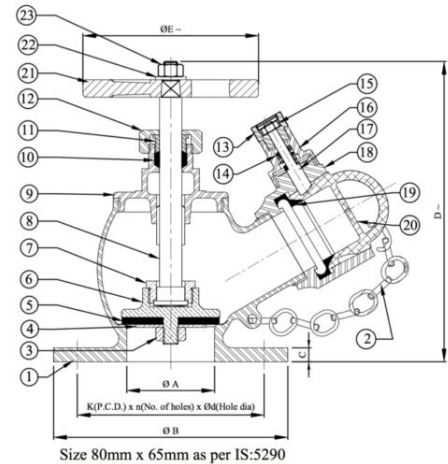


Test Pressure (Hydrostatic) :
Shell : 21 kg/cm²g (300 psig)
Seat : 14 kg/cm²g (200 psig)
Maximum Working Temperature : 110°C

Suitable For
Water

Materials

P.No.	Name of Part	Material of Construction	Specification	Qty.
1	Body	Stainless Steel	IS 3444 Gr. 1	1
2	Chain	Carbon Steel	---	1
3	Disc Nylock Nut	Carbon Steel	---	1
4	Washer	Stainless Steel	IS 6603 Gr. X04Cr19Ni9	1
5	Disc Washer	Rubber	IS 937	1
6	Disc Holder	Stainless Steel	IS 3444 Gr. 1	1
7	Check Nut	Stainless Steel	IS 3444 Gr. 1	1
8	Stem	Stainless Steel	IS 6603 Gr. X04Cr19Ni9	1
9	Bonnet	Stainless Steel	IS 3444 Gr. 1	1
10	Gland Packing	Asbestos Thread	---	-
11	Gland	Stainless Steel	IS 6603 Gr. X04Cr19Ni9	1
12	Gland Nut	Stainless Steel	IS 3444 Gr. 1	1
13	Knob with Cap	Stainless Steel	IS 3444 Gr. 1	1
14	Spring	Stainless Steel	IS 4454 Part 4 Gr. 2	1
15	Cam Tooth Nut	Stainless Steel	IS 6603 Gr. X04Cr19Ni9	1
16	Cam Housing	Stainless Steel	IS 3444 Gr. 1	1
17	Cam Tooth	Stainless Steel	IS 3444 Gr. 1	1
18	Instantaneous Coupling	Stainless Steel	IS 3444 Gr. 1	1
19	Washer	Rubber	IS 937	1
20	Blank Cap	Aluminium / ABS Plastic	IS 617 / ---	1
21	Handwheel	Cast Iron	IS 210 Gr. FG 200	1
22	Washer	Carbon Steel	---	1
23	Nut	Carbon Steel	---	1



Sizes / Dimensions

Size (Inches)	Size (mm)	ØA	ØB	C +3	D ~	ØE ~
3	80	75	200	12	230	150

~ ±10