

1087 Bronze Double Regulating Balancing Valve (Screwed) With Nozzle, PN 16

Salient Features

- Design Standard BS 7350.
- Screwed Female Ends to IS 554 / BS 21 / ISO 7.
- Precise double regulation.
- Tamper proof setting with a lock shield.
- Swift operation with un-breakable Nylon Handwheel.
- Turn Indicator on the Handwheel to help in Line balancing.
- PTFE sealing disc to ensure a proper shut off.
- Provided with Inlet / Outlet pressure test cocks.
- Facilitates system design, hence saves energy.
- Easy to install and set.
- Accentuates systematic commissioning of the plant for an optimal operation.



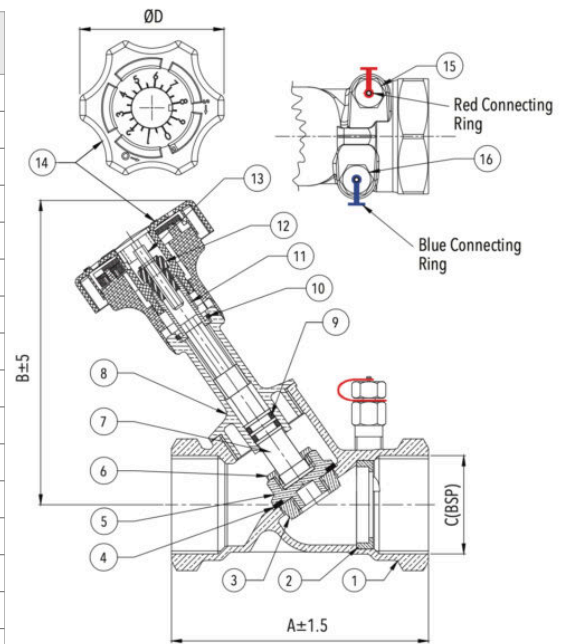
Test Pressure (Hydrostatic) – Shell : 24 bar (350 psig)
Maximum Operating Pressure (Hydrostatic) : 16 bar (230 psig)
Working Temperature : -10°C to 85°C

Suitable For

Water

Materials

P.No.	Name of Part	Material of Construction	Specification	Qty.
1	Body	Bronze	IS 318 Gr. LTB2	1
2	Retaining Ring	Brass	IS 319 Gr. 2	1
3	Disc Guide	Brass	IS 319 Gr. 2	1
4	Disc Facing	PTFE / Brass	- / IS 319 Gr. 2	1
5	Disc	Brass	IS 319 Gr. 2	1
6	Disc Nut	Brass	IS 319 Gr. 2	1
7	Stem	Brass	IS 319 Gr. 2	1
8	Bonnet	Brass / Bronze	IS 319 Gr. 2 / IS 318 Gr. LTB2	1
9	O-Ring	EPDM	---	2
10	Circlip	Stainless Steel	Type 304	1
11	Connecting Rod	Brass	IS 319 Gr. 2	1
12	Connecting Screw	Stainless Steel	Type 304	1
13	Internal Hex. Screw	Stainless Steel	Type 304	1
14	Handwheel Assy.	Nylon	---	1
15	Exhaust Nozzle	Brass	IS 319 Gr. 2	1
16	Exhaust Nozzle	Brass	IS 319 Gr. 2	1



Sizes / Dimensions

Size (Inches)	Size (mm)	A ±1.5	B ±5	C	ØD
1/2	15	87	108	1/2"	70
3/4	20	96	110	3/4"	70
1	25	100	133	1"	70
1.1/4	32	114	133	1.1/4"	70
1.1/2	40	125	147	1.1/2"	70
2	50	146	149	2"	70

Notes : For sizes 15mm & 20mm, the disc facing shall be of Brass.
For sizes 40mm & 50mm, the bonnet shall be of Bronze.

[Flow Characteristics Of Balancing Valve](#)

1087A Cast Iron Double Regulating Balancing Valve (Flanged) With Nozzle

Salient Features

- Design Standard BS 7350.
- Precise double regulation.
- Tamper proof setting.
- Handwheel Operated.
- Low noise flow.
- Can be made available with or without drain cocks.
- Flanged ends to BS 4504 Section 3.2 PN 16.
- EPDM Rubber sealing for a soft shut off.

Test Pressure (Hydrostatic) :

Shell : 24 kg/cm²g (340 psig)

Maximum Operating Pressure (Hydrostatic) : 16 Bar at an ambient temperature upto 45°C

Maximum Working Temperature : 110°C

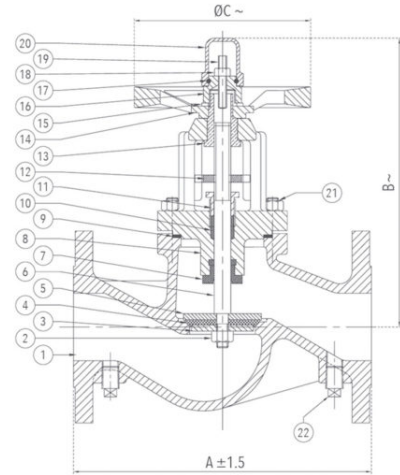


Suitable For

Water

Materials

P.No.	Name of Part	Material of Construction	Specification	Qty.
1	Body	Cast Iron	IS 210 Gr. FG 200	1
2	Nut	Carbon Steel	---	1
3	Washer	Carbon Steel	---	1
4	Disc Facing	EPDM Rubber	IS 5192 - 1	1
5	Disc Holder	Carbon Steel	---	1
6	Stem	Stainless Steel	ASTM A 276 Type 410.	1
7	Stem Seal	EPDM Rubber	IS 5192 - 1	1
8	Bonnet	Cast Iron	IS 210 Gr. FG 200	1
9	Gasket	Steam Jointing Sheet	IS 2712 Gr. W/3	1
10	Gland Packing	PTFE	---	-
11	Gland	Stainless Steel	ASTM A 276 Type 410.	1
12	Indicator	Carbon Steel	---	1
13	Sleeve	S.G Iron	IS 1865 Gr. 400 / 15	1
14	Handwheel	Cast Iron	IS 210 Gr. FG 200	1
15	Washer	Carbon Steel	---	1
16	Sleeve Nut	Stainless Steel	ASTM A 276 Type 410.	1
17	'O' Ring	Nitrile Rubber	---	1
18	Nut	Carbon Steel	---	1
19	Adjusting Stud	Carbon Steel	---	1
20	End Cap	Cast Iron	IS 210 Gr. FG 200	1
21	Studs & Nuts	Carbon Steel	---	4 Each
22	Plug	Bronze	IS 318 Gr. LTB2	2



Sizes / Dimensions

Size (Inches)	Size (mm)	A ±1.5	B ~	ØC ~
2 1/2	65	290	286	170
3	80	304	294	170
4	100	350	356	200
5	125	400	380	225
6	150	480	475	256
8	200	600	625	300
10	250	730	660	400
12	300	850	720	400

~ ±10