

## 1087 Bronze Double Regulating Balancing Valve (Screwed) With Nozzle, PN 16

### Salient Features

- Design Standard BS 7350.
- Screwed Female Ends to IS 554 / BS 21 / ISO 7.
- Precise double regulation.
- Tamper proof setting with a lock shield.
- Swift operation with un-breakable Nylon Handwheel.
- Turn Indicator on the Handwheel to help in Line balancing.
- PTFE sealing disc to ensure a proper shut off.
- Provided with Inlet / Outlet pressure test cocks.
- Facilitates system design, hence saves energy.
- Easy to install and set.
- Accentuates systematic commissioning of the plant for an optimal operation.

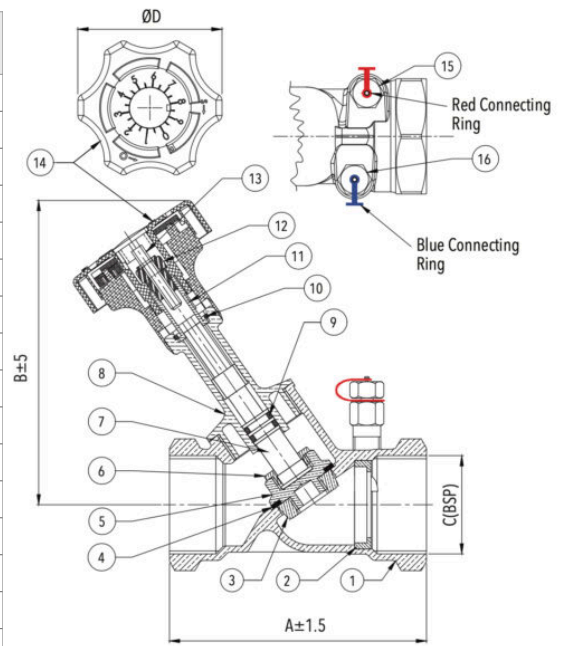


Test Pressure (Hydrostatic) – Shell : 24 bar (350 psig)  
Maximum Operating Pressure (Hydrostatic) : 16 bar (230 psig)  
Working Temperature : -10°C to 85°C

**Suitable For**  
Water

### Materials

| P.No. | Name of Part        | Material of Construction | Specification                  | Qty. |
|-------|---------------------|--------------------------|--------------------------------|------|
| 1     | Body                | Bronze                   | IS 318 Gr. LTB2                | 1    |
| 2     | Retaining Ring      | Brass                    | IS 319 Gr. 2                   | 1    |
| 3     | Disc Guide          | Brass                    | IS 319 Gr. 2                   | 1    |
| 4     | Disc Facing         | PTFE / Brass             | - / IS 319 Gr. 2               | 1    |
| 5     | Disc                | Brass                    | IS 319 Gr. 2                   | 1    |
| 6     | Disc Nut            | Brass                    | IS 319 Gr. 2                   | 1    |
| 7     | Stem                | Brass                    | IS 319 Gr. 2                   | 1    |
| 8     | Bonnet              | Brass / Bronze           | IS 319 Gr. 2 / IS 318 Gr. LTB2 | 1    |
| 9     | O-Ring              | EPDM                     | ---                            | 2    |
| 10    | Circlip             | Stainless Steel          | Type 304                       | 1    |
| 11    | Connecting Rod      | Brass                    | IS 319 Gr. 2                   | 1    |
| 12    | Connecting Screw    | Stainless Steel          | Type 304                       | 1    |
| 13    | Internal Hex. Screw | Stainless Steel          | Type 304                       | 1    |
| 14    | Handwheel Assy.     | Nylon                    | ---                            | 1    |
| 15    | Exhaust Nozzle      | Brass                    | IS 319 Gr. 2                   | 1    |
| 16    | Exhaust Nozzle      | Brass                    | IS 319 Gr. 2                   | 1    |



### Sizes / Dimensions

| Size (Inches) | Size (mm) | A ±1.5 | B ±5 | C      | ØD |
|---------------|-----------|--------|------|--------|----|
| 1/2           | 15        | 87     | 108  | 1/2"   | 70 |
| 3/4           | 20        | 96     | 110  | 3/4"   | 70 |
| 1             | 25        | 100    | 133  | 1"     | 70 |
| 1.1/4         | 32        | 114    | 133  | 1.1/4" | 70 |
| 1.1/2         | 40        | 125    | 147  | 1.1/2" | 70 |
| 2             | 50        | 146    | 149  | 2"     | 70 |

Notes : For sizes 15mm & 20mm, the disc facing shall be of Brass.  
For sizes 40mm & 50mm, the bonnet shall be of Bronze.

### [Flow Characteristics Of Balancing Valve](#)

## 1087A Cast Iron Double Regulating Balancing Valve (Flanged) With Nozzle

### Salient Features

- Design Standard BS 7350.
- Precise double regulation.
- Tamper proof setting.
- Handwheel Operated.
- Low noise flow.
- Can be made available with or without drain cocks.
- Flanged ends to BS 4504 Section 3.2 PN 16.
- EPDM Rubber sealing for a soft shut off.

Test Pressure (Hydrostatic) :

Shell : 24 kg/cm<sup>2</sup>g (340 psig)

Maximum Operating Pressure (Hydrostatic) : 16 Bar at an ambient temperature upto 45°C

Maximum Working Temperature : 110°C

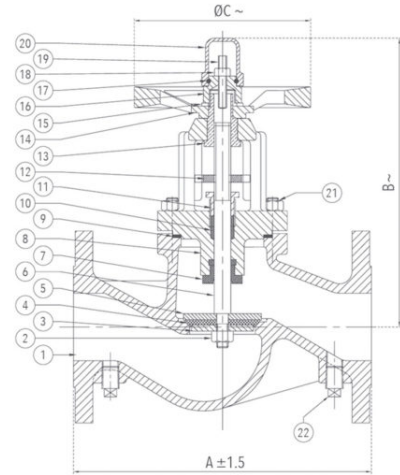


### Suitable For

Water

### Materials

| P.No. | Name of Part   | Material of Construction | Specification        | Qty.   |
|-------|----------------|--------------------------|----------------------|--------|
| 1     | Body           | Cast Iron                | IS 210 Gr. FG 200    | 1      |
| 2     | Nut            | Carbon Steel             | ---                  | 1      |
| 3     | Washer         | Carbon Steel             | ---                  | 1      |
| 4     | Disc Facing    | EPDM Rubber              | IS 5192 - 1          | 1      |
| 5     | Disc Holder    | Carbon Steel             | ---                  | 1      |
| 6     | Stem           | Stainless Steel          | ASTM A 276 Type 410. | 1      |
| 7     | Stem Seal      | EPDM Rubber              | IS 5192 - 1          | 1      |
| 8     | Bonnet         | Cast Iron                | IS 210 Gr. FG 200    | 1      |
| 9     | Gasket         | Steam Jointing Sheet     | IS 2712 Gr. W/3      | 1      |
| 10    | Gland Packing  | PTFE                     | ---                  | -      |
| 11    | Gland          | Stainless Steel          | ASTM A 276 Type 410. | 1      |
| 12    | Indicator      | Carbon Steel             | ---                  | 1      |
| 13    | Sleeve         | S.G Iron                 | IS 1865 Gr. 400 / 15 | 1      |
| 14    | Handwheel      | Cast Iron                | IS 210 Gr. FG 200    | 1      |
| 15    | Washer         | Carbon Steel             | ---                  | 1      |
| 16    | Sleeve Nut     | Stainless Steel          | ASTM A 276 Type 410. | 1      |
| 17    | 'O' Ring       | Nitrile Rubber           | ---                  | 1      |
| 18    | Nut            | Carbon Steel             | ---                  | 1      |
| 19    | Adjusting Stud | Carbon Steel             | ---                  | 1      |
| 20    | End Cap        | Cast Iron                | IS 210 Gr. FG 200    | 1      |
| 21    | Studs & Nuts   | Carbon Steel             | ---                  | 4 Each |
| 22    | Plug           | Bronze                   | IS 318 Gr. LTB2      | 2      |



### Sizes / Dimensions

| Size (Inches) | Size (mm) | A ±1.5 | B ~ | ØC ~ |
|---------------|-----------|--------|-----|------|
| 2 1/2         | 65        | 290    | 286 | 170  |
| 3             | 80        | 304    | 294 | 170  |
| 4             | 100       | 350    | 356 | 200  |
| 5             | 125       | 400    | 380 | 225  |
| 6             | 150       | 480    | 475 | 256  |
| 8             | 200       | 600    | 625 | 300  |
| 10            | 250       | 730    | 660 | 400  |
| 12            | 300       | 850    | 720 | 400  |

~ ±10