

## 1093 Bronze Landing (Fire Hydrant) Valve (Flanged)

### Salient Features

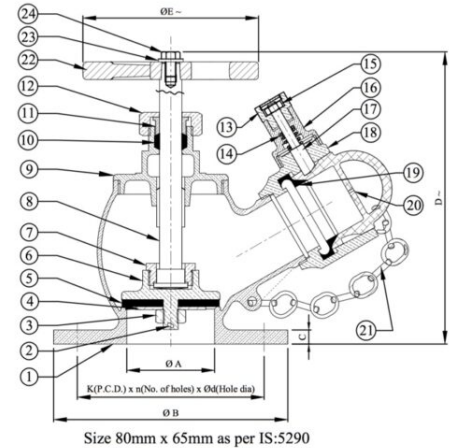
- Design Standard IS 5290.
- Confirming to Type A specification.
- Screwed in Bonnet having instantaneous coupling with single outlet.
- PTFE Gland Packing for longer life and smooth operation of stem.
- Large flow way area to get full flow of water.
- Leakage proof by virtue of elastomer seat.
- Smooth operation of blank cap for quick mounting of water pipe.
- Life long rust free service.

Test Pressure (Hydrostatic) :  
Shell : 21 kg/cm<sup>2</sup>g (300 psig)  
Seat : 14 kg/cm<sup>2</sup>g (200 psig)  
Maximum Working Temperature : 110°C

**Suitable For**  
Water

### Materials

P.No.	Name of Part	Material of Construction	Specification	Qty.
1	Body	Bronze	IS 318 Gr. LTB 2	1
2	Spilt Pin	Brass	- - -	1
3	Disc Nut	Bronze	IS 318 Gr. LTB 2	1
4	Washer	Bronze	IS 318 Gr. LTB 2	1
5	Disc Washer	Rubber	IS 937	1
6	Disc Holder	Bronze	IS 318 Gr. LTB 2	1
7	Check Nut	Bronze	IS 318 Gr. LTB 2	1
8	Stem	Brass	IS 319	1
9	Bonnet	Bronze	IS 318 Gr. LTB 2	1
10	Gland Packing	Asbestos Thread	- - -	-
11	Gland	Brass	IS 319	1
12	Gland Nut	Bronze	IS 318 Gr. LTB 2	1
13	Knob with Cap	Bronze	IS 318 Gr. LTB 2	1
14	Spring	Phosphorous Bronze	IS 7608	1
15	Cam Tooth Nut	Bronze	IS 318 Gr. LTB 2	1
16	Cam Housing	Bronze	IS 318 Gr. LTB 2	1
17	Cam Tooth	Brass	IS 319	1
18	Instantaneous Coupling	Bronze	IS 318 Gr. LTB 2	1
19	Washer	Rubber	IS 937	1
20	Blank Cap	Aluminium / ABS Plastic	IS 617 / - - -	1
21	Chain	Carbon Steel	- - -	1
22	Handwheel	Cast Iron	IS 210 Gr. FG 200	1
23	Washer	Carbon Steel	- - -	1
24	Bolt	Carbon Steel	- - -	1



### Sizes / Dimensions

Size (Inches)	Size (mm)	ØA	ØB	C +3	D ~	ØE ~
3	80	75	200	12	240	150

~ ±10

## 1093A Stainless Steel S.S 304 Landing (Fire Hydrant) Valve (Flanged)

### Salient Features

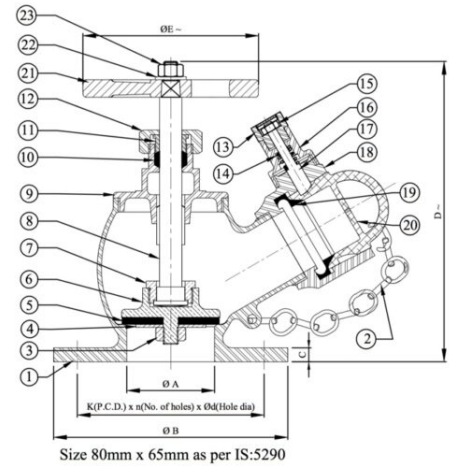
- Design Standard IS 5290.
- Confirming to Type A specification.
- Screwed in Bonnet having instantaneous coupling with single outlet.
- PTFE Gland Packing for longer life and smooth operation of stem.
- Large flow way area to get full flow of water.
- Leakage proof by virtue of elastomer seat.
- Smooth operation of blank cap for quick mounting of water pipe.
- Life long rust free service.

Test Pressure (Hydrostatic) :  
Shell : 21 kg/cm<sup>2</sup>g (300 psig)  
Seat : 14 kg/cm<sup>2</sup>g (200 psig)  
Maximum Working Temperature : 110°C

**Suitable For**  
Water

### Materials

P.No.	Name of Part	Material of Construction	Specification	Qty.
1	Body	Stainless Steel	IS 3444 Gr. 1	1
2	Chain	Carbon Steel	---	1
3	Disc Nylock Nut	Carbon Steel	---	1
4	Washer	Stainless Steel	IS 6603 Gr. X04Cr19Ni9	1
5	Disc Washer	Rubber	IS 937	1
6	Disc Holder	Stainless Steel	IS 3444 Gr. 1	1
7	Check Nut	Stainless Steel	IS 3444 Gr. 1	1
8	Stem	Stainless Steel	IS 6603 Gr. X04Cr19Ni9	1
9	Bonnet	Stainless Steel	IS 3444 Gr. 1	1
10	Gland Packing	Asbestos Thread	---	-
11	Gland	Stainless Steel	IS 6603 Gr. X04Cr19Ni9	1
12	Gland Nut	Stainless Steel	IS 3444 Gr. 1	1
13	Knob with Cap	Stainless Steel	IS 3444 Gr. 1	1
14	Spring	Stainless Steel	IS 4454 Part 4 Gr. 2	1
15	Cam Tooth Nut	Stainless Steel	IS 6603 Gr. X04Cr19Ni9	1
16	Cam Housing	Stainless Steel	IS 3444 Gr. 1	1
17	Cam Tooth	Stainless Steel	IS 3444 Gr. 1	1
18	Instantaneous Coupling	Stainless Steel	IS 3444 Gr. 1	1
19	Washer	Rubber	IS 937	1
20	Blank Cap	Aluminium / ABS Plastic	IS 617 / ---	1
21	Handwheel	Cast Iron	IS 210 Gr. FG 200	1
22	Washer	Carbon Steel	---	1
23	Nut	Carbon Steel	---	1



### Sizes / Dimensions

Size (Inches)	Size (mm)	ØA	ØB	C +3	D ~	ØE ~
3	80	75	200	12	230	150

~ ±10