

1006 Bronze Gate Valve (Hex. Type) (Screwed)

Salient Features

- Screwed Female Ends to IS 554 / BS 21 / ISO 7.
- Screwed in Bonnet, Inside Screw, Non-Rising Stem, Integral Seat.
- Forged Brass Bonnet, Wedge, Stem and Gland Nut.
- Body designed for convenient fitting where space constraint is the factor.
- Designed sheet metal handwheel for a firm grip and convenient operation.
- Premium Quality PTFE Gland Packing.

Test Pressure (Hydrostatic) :
Shell : 24 kg/cm²g (340 psig)
Seat : 16 kg/cm²g (225 psig)
Maximum Working Temperature : 225°C

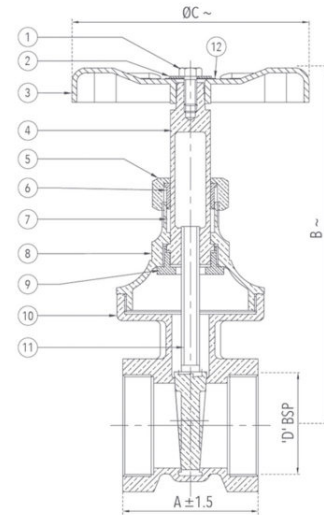
Suitable For

Water, Oil



Materials

P.No.	Name of Part	Material of Construction	Specification	Quantity
1	Screw / Bolt	Carbon Steel (Zinc Plated)	- - -	1
2	Washer	Carbon Steel (Zinc Plated)	- - -	1
3	Hand wheel	Sheet Metal (Powder Coated)	- - -	1
4	Stem	Forged Brass / Bronze	IS 6912 Gr. FLB / IS 318 Gr. LTB 2*	1
5	Gland Nut	Forged Brass	IS 6912 Gr. FLB	1
6	Gland	Forged Brass	IS 6912 Gr. FLB	1
7	Gland Packing	PTFE	- - -	-
8	Bonnet	Forged Brass / Bronze	IS 6912 Gr. FLB / IS 318 Gr. LTB 2*	1
9	Check Nut	Forged Brass	IS 6912 Gr. FLB	1
10	Body	Bronze	IS 318 Gr. LTB 2	1
11	Wedge	Forged Brass	IS 6912 Gr. FLB	1
12	Name Plate	Aluminum	- - -	1



Sizes / Dimensions

Size (Inches)	Size (mm)	A ± 1.5	B ~	ØC ~	D
1/4*	8*	35	92	60	1/4"
3/8*	10*	38	96	60	3/8"
1/2	15	41	103	60	1/2"
3/4	20	45	122	65	3/4"
1	25	50	137	70	1"
1 1/4	32	54	150	90	1 1/4"
1 1/2	40	60	166	90	1 1/2"
2	50	65	200	110	2"
2 1/2*	65*	76	250	120	2 1/2"
3*	80*	92	292	138	3"
4*	100*	105	365	160	4"

~ ±10

*Stem and Bonnet for Size 8, 10, 65, 80 and 100 are of Bronze.

NOTE : Size 6" can also be made available.

1007 Bronze Gate Valve (Peg. Type) (Screwed)

Salient Features

- Design Standard BSEN 12288 (BS 5154).
- Screwed Female Ends to IS 554 / BS 21 / ISO 7.
- Screwed in Bonnet, Inside Screw, Non-Rising Stem, Integral Seat.
- Designed sheet metal handwheel for a firm grip and convenient operation.
- Premium Quality PTFE Gland Packing.

Test Pressure (Hydrostatic) :
Shell : 25 kg/cm²g (350 psig)
Seat : 16 kg/cm²g (225 psig)
Maximum Working Temperature : 225°C

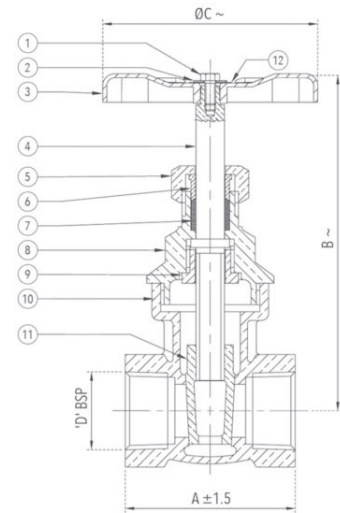
Suitable For

Water, Oil



Materials

P.No.	Name of Part	Material of Construction	Specification	Quantity
1	Screw / Bolt	Carbon Steel (Zinc Plated)	- - -	1
2	Washer	Carbon Steel (Zinc Plated)	- - -	1
3	Handwheel	Sheet Metal (Powder Coated)	- - -	1
4	Stem	Forged Brass	IS 6912 Gr. FLB	1
5	Gland Nut	Forged Brass	IS 6912 Gr. FLB	1
6	Gland	Forged Brass	IS 6912 Gr. FLB	1
7	Gland Packing	PTFE	- - -	-
8	Bonnet	Forged Brass / Bronze	IS 6912 Gr. FLB / IS 318 Gr. LTB2	1
9	Check Nut	Forged Brass	IS 6912 Gr. FLB	1
10	Body	Bronze	IS 318 Gr. LTB 2	1
11	Wedge	Bronze	IS 318 Gr. LTB 2	1
12	Name Plate	Aluminium	- - -	1



Sizes / Dimensions

Size (Inches)	Size (mm)	A ±1.5	B ~	ØC ~	D
1/4*	8*	43	89	50	1/4"
3/8*	10*	43	92	50	3/8"
1/2	15	48	105	60	1/2"
3/4	20	53	114	65	3/4"
1	25	60	129	70	1"
1 1/4	32	68	139	80	1 1/4"
1 1/2	40	72	155	90	1 1/2"
2	50	83	189	110	2"
2 1/2	65	94	220	120	2 1/2"
3	80	105	250	140	3"
4*	100*	127	307	160	4"

~ ±10

*Bonnet for Size 8, 10 and 100 is of Bronze.

1035 Bronze Gate Valve (Screwed) 

Salient Features

- Screwed Female Ends to IS 554 / BS 21 / ISO 7.
- Screwed in Bonnet, Inside Screw, Non-Rising Stem, Integral Seat, Solid Wedge.
- Designed sheet metal handwheel for a firm grip and convenient operation.
- Premium Quality PTFE Gland Packing.
- Design Standard IS 778, Class-1.
- Provision for re-packing under pressure.

Test Pressure (Hydrostatic) :
Shell : 1.5 MPa
Seat & Back Seat : 1.0 MPa
Maximum Working Temperature : 45°C

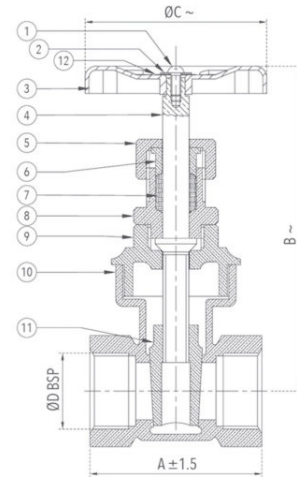
Suitable For

Water, Oil
*Also available with Open-Shut Indicator and Locking Device, at a nominal extra price.



Materials

P.No.	Name of Part	Material of Construction	Specification	Quantity
1	Screw / Bolt	Carbon Steel (Zinc Plated)	---	1
2	Washer	Carbon Steel (Zinc Plated)	---	1
3	Handwheel	Sheet Metal (Power Coated)	---	1
4	Stem	Forged Brass	IS 6912 Gr. FLB	1
5	Gland Nut	Forged Brass	IS 6912 Gr. FLB	1
6	Gland	Forged Brass	IS 6912 Gr. FLB	1
7	Gland Packing	PTFE	---	-
8	Stuffing Box	Forged Brass	IS 6912 Gr. FLB	1
9	Bonnet	Forged Brass	IS 6912 Gr. FLB	1
10	Body	Bronze	IS 318 Gr. LTB 2	1
11	Wedge	Bronze	IS 318 Gr. LTB 2	1
12	Name Plate	Aluminium	---	1



Sizes / Dimensions

Size (Inches)	Size (mm)	A ±1.5	B ~	ØC ~	D
1/4	8	50	84	50	1/4"
3/8	10	50	89	50	3/8"
1/2	15	60	105	60	1/2"
3/4	20	60	117	65	3/4"
1	25	70	132	70	1"
1 1/4	32	80	150	80	1 1/4"
1 1/2	40	90	165	90	1 1/2"
2	50	100	190	110	2"
2 1/2	65	105	232	115	2 1/2"
3	80	125	268	140	3"
4	100	160	332	160	4"

~ ±10

1035A Bronze Gate Valve Class-2 (Screwed) 

Salient Features

- Screwed Female Ends to IS 554 / BS 21 / ISO 7.
- Screwed in Bonnet, Inside Screw, Non-Rising Stem, Integral Seat, Solid Wedge.
- Designed sheet metal handwheel for a firm grip and convenient operation.
- Premium Quality PTFE Gland Packing.
- Design Standard IS 778, Class-2.
- Provision for re-packing under pressure.

Test Pressure (Hydrostatic) :
Shell : 2.4 MPa
Seat & Back Seat : 1.6 MPa
Maximum Working Temperature : 45°C

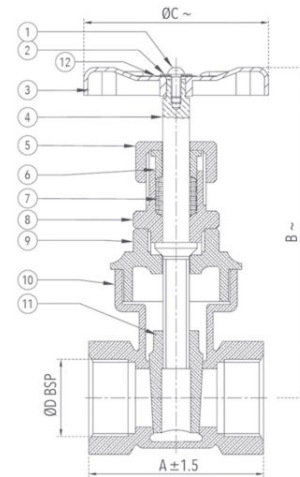
Suitable For

Water, Oil
*Also available with Open-Shut Indicator and Locking Device, at a nominal extra price.



Materials

P.No.	Name of Part	Material of Construction	Specification	Quantity
1	Screw / Bolt	Carbon Steel (Zinc Plated)	- - -	1
2	Washer	Carbon Steel (Zinc Plated)	- - -	1
3	Handwheel	Sheet Metal (Powder Coated)	- - -	1
4	Stem	Forged Brass	IS 6912 Gr. FLB	1
5	Gland Nut	Forged Brass / Bronze	IS 6912 Gr. FLB / IS 318 Gr. LTB 2	1
6	Gland	Forged Brass	IS 6912 Gr. FLB	1
7	Gland Packing	PTFE	BSEN 12086 - 1	-
8	Stuffing Box	Forged Brass	IS 6912 Gr. FLB	1
9	Bonnet	Forged Brass	IS 6912 Gr. FLB	1
10	Body	Bronze	IS 318 Gr. LTB 2	1
11	Wedge	Bronze	IS 318 Gr. LTB 2	1
12	Name Plate	Aluminium	- - -	1



Sizes / Dimensions

Size (Inches)	Size (mm)	A ±1.5	B ~	ØC ~	D
1/4	8	50	84	50	1/4"
3/8	10	50	89	50	3/8"
1/2	15	60	105	60	1/2"
3/4	20	60	117	65	3/4"
1	25	70	132	70	1"
1 1/4	32	80	150	80	1 1/4"
1 1/2	40	90	165	90	1 1/2"
2	50	100	190	110	2"
2 1/2*	65*	105	232	117	2 1/2"
3*	80*	125	268	140	3"
4*	100*	160	332	160	4"

~ ±10

*Gland Nut for Size 65, 80 and 100 is of Bronze.

1035B Bronze Gate Valve Rising Stem (Screwed)

Salient Features

- Screwed female ends to IS 554 / BS21 / ISO - 7.
- Screwed in Bonnet, Inside Screw, Rising Stem, Integral Seat, Solid Wedge.
- Provision for Re-packing under pressure.
- Designed sheet metal handwheel for a firm grip and convenient operation.
- Premium quality PTFE Gland Packing.

Test Pressure(Hydrostatic) Class-1 :

Shell : 1.5 Mpa

Seat & Back Seat : 1.0 Mpa

Maximum Working Temperature : 45°C

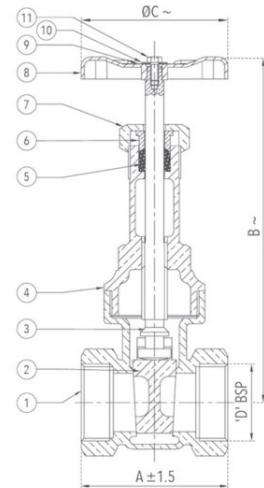
Suitable For

Water, Oil



Materials

P.No.	Name of Part	Material of Construction	Specification	Quantity
1	Body	Bronze	IS 318 Gr. LTB 2	1
2	Wedge	Bronze	IS 318 Gr. LTB 2	1
3	Stem	Forged Brass	IS 6912 Gr. LTB 2	1
4	Bonnet	Bronze	IS 318 Gr. LTB 2	1
5	Gland Packing	PTFE	---	-
6	Gland	Forged Brass	IS 6912 Gr. FLB	1
7	Gland Nut	Forged Brass	IS 6912 Gr. FLB	-
8	Hand Wheel	Sheet Metal (Powder Coated)	---	1
9	Name Plate	Aluminium	---	1
10	Washer	Carbon Steel (Zinc Plated)	---	1
11	Screw/Bolt	Carbon Steel (Zinc Plated)	---	1



Sizes / Dimensions

Size (Inches)	Size (mm)	A ±1.5	B ~	ØC ~	D
1/2	15	60	120	60	1/2"
3/4	20	60	128	65	3/4"
1	25	70	150	70	1"
1 1/4	32	80	188	80	1 1/4"
1 1/2	40	90	214	90	1 1/2"
2	50	100	243	110	2"
2 1/2	65	105	310	115	2 1/2"
3	80	125	360	140	3"
4	100	160	432	160	4"

~ ±10

1035C Bronze Gate Valve Rising Stem, Class-2 (Screwed)

Salient Features

- Screwed female ends to IS 554 / BS21 / ISO - 7.
- Screwed in Bonnet, Inside Screw, Rising Stem, Integral Seat, Solid Wedge.
- Provision for Re-packing under pressure.
- Designed sheet metal handwheel for a firm grip and convenient operation.
- Premium quality PTFE Gland Packing.

Test Pressure(Hydrostatic) Class-2 :

Shell : 2.4 Mpa

Seat & Back Seat : 1.6 Mpa

Maximum Working Temperature : 225°C

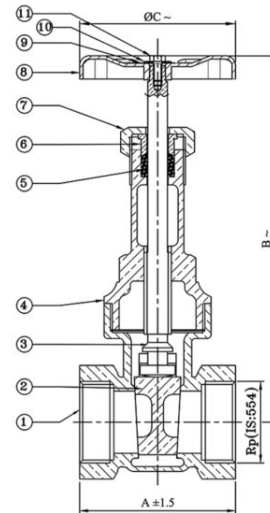
Suitable For

Water, Oil



Materials

P.No.	Name of Part	Material of Construction	Specification	Quantity
1	Body	Bronze	IS 318 Gr. LTB 2	1
2	Wedge	Bronze	IS 318 Gr. LTB 2	1
3	Stem	Forged Brass	IS 6912 Gr. LTB 2	1
4	Bonnet	Bronze	IS 318 Gr. LTB 2	1
5	Gland Packing	PTFE	---	-
6	Gland	Forged Brass	IS 6912 Gr. FLB	1
7	Gland Nut	Forged Brass	IS 6912 Gr. FLB	-
8	Hand Wheel	Sheet Metal (Powder Coated)	---	1
9	Name Plate	Aluminium	---	1
10	Washer	Carbon Steel (Zinc Plated)	---	1
11	Screw/Bolt	Carbon Steel (Zinc Plated)	---	1



Sizes / Dimensions

Size (Inches)	Size (mm)	A ±1.5	B ~	ØC ~	D
1/2	15	60	120	60	1/2"
3/4	20	60	128	65	3/4"
1	25	70	150	70	1"
1 1/4	32	80	188	80	1 1/4"
1 1/2	40	90	214	90	1 1/2"
2	50	100	243	110	2"

~ ±10

1036 Bronze Gate Valve (Flanged)



Salient Features

- Flanged Ends to IS 778.
- Screwed in Bonnet, Inside Screw, Non-Rising Stem, Integral Seat, Solid Wedge.
- Designed sheet metal handwheel for a firm grip and convenient operation.
- Premium Quality PTFE Gland Packing.
- Provision for re-packing under pressure.
- Design Standard IS 778, Class-1.

Test Pressure (Hydrostatic) :

Shell : 1.5 MPa

Seat & Back Seat : 1.0 MPa

Maximum Working Temperature : 45°C

Suitable For

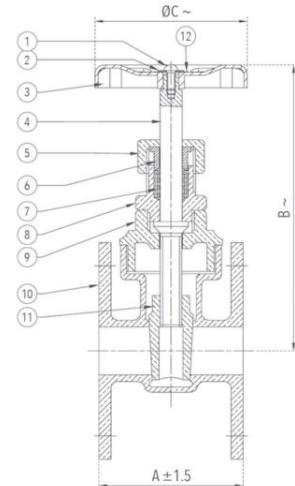
Water, Oil

*Also available with Open-Shut Indicator and Locking Device, at a nominal extra price.



Materials

P.No.	Name of Part	Material of Construction	Specification	Quantity
1	Screw / Bolt	Carbon Steel (Zinc Plated)	---	1
2	Washer	Carbon Steel (Zinc Plated)	---	1
3	Handwheel	Sheet Metal (Power Coated Paint)	---	1
4	Stem	Forged Brass	IS 6912 Gr. FLB	1
5	Gland Nut	Forged Brass	IS 6912 Gr. FLB	1
6	Gland	Forged Brass	IS 6912 Gr. FLB	1
7	Gland Packing	PTFE	---	-
8	Stuffing Box	Forged Brass	IS 6912 Gr. FLB	1
9	Bonnet	Forged Brass	IS 6912 Gr. FLB	1
10	Body	Bronze	IS 318 Gr. LTB 2	1
11	Wedge	Bronze	IS 318 Gr. LTB 2	1
12	Name Plate	Aluminium	---	1



Sizes / Dimensions

Size (Inches)	Size (mm)	A ±1.5	B ~	ØC ~
1/2	15	72	105	60
3/4	20	76	117	65
1	25	90	132	70
1 1/4	32	100	140	80
1 1/2	40	110	172	90
2	50	120	190	110
2 1/2	65	140	214	115
3	80	150	268	140
4	100	190	323	160

~ ±10

1075 Forged Steel Gate Valve, Class-800 (Standard Bore) I.B.R.

Salient Features

- Design Standard API 602 / BS EN ISO 15761 (BS 5352).
- Body and Bonnet are Phosphated, to ensure maximum resistance from rust.
- Bolted Bonnet, Outside Screw, Yoke Type, Rising Stem.
- Screwed Female Ends to BSPT / NPT / Socket Welded to ANSI B16.11.

Test Pressure :

Shell (Hydrostatic) : 207 bar (3000 psig)

Seat & Back Seat(Hydrostatic) : 152 bar (2200 psig)

Seat (Pneumatic) : 6.9 bar (100 psig)

Maximum Working Temperature : 425°C

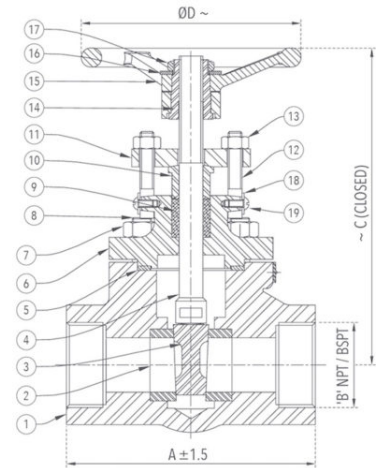
Suitable For

Steam, Water, Oil



Materials

P.No.	Name of Part	Material of Construction	Specification	Qty.
1	Body	Forged Carbon Steel	ASTM A 105	1
2	Body Seat Ring	Stainless Steel	ASTM A276 Type 410 / ASTM A 182 Gr. F6a	2
3	Wedge (Solid)	Stainless Steel	ASTM A217 Gr. CA 15	1
4	Stem	Stainless Steel	ASTM A276 Type 410 / ASTM A 182 Gr. F6a	1
5	Gasket	Spiral Wound S.S (Type 316) Graphite Filled	---	1
6	Bonnet	Forged Carbon Steel	ASTM A 105	1
7	Bonnet Nut	Alloy Steel	ASTM A 194 Gr. 2H	4
8	Stud	Alloy Steel	ASTM A 193 Gr. B7	4
9	Gland Packing	Non Asbestos Graphite With Corrosion Inhibitor	---	
10	Gland	Stainless Steel	ASTM A276 Type 410.	1
11	Gland Flange	Carbon Steel	---	1
12	Eye Bolt	Stainless Steel	ASTM A276 Type 410 / ASTM A 182 Gr. F6a	2
13	Nut	Alloy Steel	ASTM A194 Gr. 2H	2
14	Yoke Sleeve	Aluminium Bronze	BSEN 1982 AB - 1	1
15	Handwheel	Ductile Iron	ASTM A 536 / IS 1865	1
16	Identification Plate	Aluminium	---	1
17	Check Nut	Stainless Steel	ASTM A 276 Type 410	1
18	Washer	Carbon Steel	---	2
19	Screw	Carbon Steel	---	2



Sizes / Dimensions

Size (Inches)	Size (mm)	A ±1.5	B	C ~	ØD ~
1/2	15	85	1/2"	143	85
3/4	20	86	3/4"	146	85
1	25	101	1"	162	95
1 1/4	32	140	1 1/4"	226	155
1 1/2	40	140	1 1/2"	226	155
2	50	164	2"	230	155

~ ±10

1075A Forged Steel Gate Valve, Class-800 (Full Bore) I.B.R

Salient Features

- Design Standard API 602 / BS EN ISO 15761 (BS 5352).
- Body and Bonnet are Phosphated, to ensure maximum resistance from rust.
- Bolted Bonnet, Outside Screw, Yoke Type, Rising Stem.
- Screwed Female Ends to BSPT / NPT / Socket Welded to ANSI B16.11.

Test Pressure :

Shell (Hydrostatic) : 207 bar (3000 psig)

Seat & Back Seat(Hydrostatic) : 152 bar (2200 psig)

Seat (Pneumatic) : 6.9 bar (100 psig)

Maximum Working Temperature : 425°C

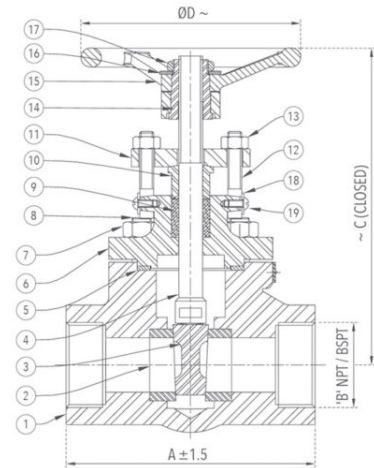
Suitable For

Steam, Water, Oil



Materials

P.No.	Name of Part	Material of Construction	Specification	Qty.
1	Body	Forged Carbon Steel	ASTM A 105	1
2	Body Seat Ring	Stainless Steel	ASTM A276 Type 410 / ASTM A 182 Gr. F6a	2
3	Wedge (Solid)	Stainless Steel	ASTM A217 Gr. CA 15	1
4	Stem	Stainless Steel	ASTM A276 Type 410 / ASTM A 182 Gr. F6a	1
5	Gasket	Spiral Wound S.S. (Type 316) Graphite Filled	---	1
6	Bonnet	Forged Carbon Steel	ASTM A 105	1
7	Bonnet Nut	Alloy Steel	ASTM A 194 Gr. 2H	4
8	Stud	Alloy Steel	ASTM A 193 Gr. B7	4
9	Gland Packing	Non Asbestos Graphite With Corrosion Inhibitor	---	
10	Gland	Stainless Steel	ASTM A276 Type 410.	1
11	Gland Flange	Carbon Steel	---	1
12	Eye Bolt	Stainless Steel	ASTM A276 Type 410 / ASTM A 182 Gr. F6a	2
13	Nut	Alloy Steel	ASTM A194 Gr. 2H	2
14	Yoke Sleeve	Aluminium Bronze	BSEN 1982 AB - 1	1
15	Handwheel	Ductile Iron	ASTM A 536 / IS 1865	1
16	Identification Plate	Aluminium	---	1
17	Check Nut	Stainless Steel	ASTM A 276 Type 410	1
18	Washer	Carbon Steel	---	2
19	Screw	Carbon Steel	---	2



Sizes / Dimensions

Size (Inches)	Size (mm)	A ±1.5	B	C ~	ØD ~
3/8	10	85	3/8"	143	85
1/2	15	86	1/2"	146	85
3/4	20	101	3/4"	162	95
1	25	140	1"	226	155
1 1/4	32	140	1 1/4"	226	155
1 1/2	40	164	1 1/2"	230	155

~ ±10

1077 Cast Steel Gate Valve, Class-150 (Flanged) I.B.R

Salient Features

- Design Standard BS EN ISO 10434 / API 600.
- Bolted Bonnet, Outside Screw, Yoke Type, Rising Stem.
- Renewable 13% Cr. Stainless Steel (S.S 410) working parts.
- Handwheel Operated.
- Flanged Ends as per ASME B 16.5 Class-150.

Test Pressure (Hydrostatic) :
Shell : 31 kg/cm²g (425 psig)
Seat : 21kg/cm²g (313 psig)
Seat (Steam) : 10.55 kg/cm²g (150 psig)
Maximum Working Temperature : 425°C

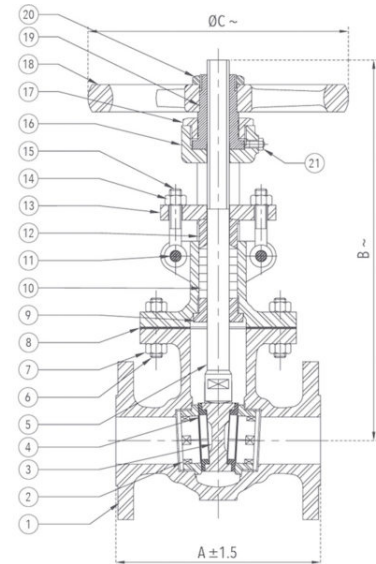
Suitable For

Steam, Water, Oil



Materials

P.No.	Name of Part	Material of Construction	Specification	Qty.
1	Body	Cast Steel	ASTM A 216 Gr. WCB	1
2	Body Seat Ring	Stainless Steel	ASTM A 276 Type 410 / ASTM A 182 Gr. F6a	2
3	Wedge	Cast Steel	ASTM A 216 Gr. WCB	1
4	Wedge Facing Ring	Stainless Steel	ASTM A 276 Type 410 / ASTM A 182 Gr. F6a	2
5	Stem	Stainless Steel	ASTM A 276 Type 410 / ASTM A 182 Gr. F6a	1
6	Studs	Alloy Steel	ASTM A 193 Gr. B7	As Reqd.
7	Nuts	H.T. Steel	ASTM A 194 Gr. 2H	As Reqd.
8	Gasket	Steam Jointing Sheet	IS 2712 Gr. W/3	1
9	Back Seat Bush	Aluminium Bronze	BS EN 1982 Gr. AB - 1	1
10	Gland Packing	Braided Graphite	IS 4687	-
11	Pin For Eye Bolt	Stainless Steel	ASTM A 276 Type 410	2
12	Gland	Stainless Steel	ASTM A 276 Type 410	1
13	Gland Flange	Carbon Steel	---	1
14	Nuts	H.T. Steel	ASTM A 194 Gr. 2H	2
15	Eye Bolts	Stainless Steel	ASTM A 276 Type 410	2
16	Bonnet	Carbon Steel	ASTM A 216 Gr. WCB	1
17	Sleeve Nut	Stainless Steel	ASTM A 276 Type 410	1
18	Handwheel	Nodular Iron	ASTM A 439 D2	1
19	Yoke Sleeve	S.G Iron	IS 1865 Gr. 400 / 15	1
20	Handwheel Nut	Carbon Steel	---	1
21	Grease Nipple	Carbon Steel	---	1



Sizes / Dimensions

Size (Inches)	Size (mm)	A ±1.5	B ~	ØC ~
1 1/2	40	165	330	210
2	50	178	340	210
2 1/2	65	190	395	210
3	80	203	430	225
4	100	229	521	255

Size (Inches)	Size (mm)	A ±1.5	B ~	ØC ~
5	125	254	568	255
6	150	267	666	356
8	200	292	783	400

~ ±10

1079A Cast Iron Sluice Valve PN 1.0 (Flanged)

Salient Features

- Design Standard IS 14846 PN 1.0.
- Bolted Bonnet, Inside Screw, Non-Rising Stem.
- Rigid and Sturdy design.
- Handwheel Operated.
- Flange Ends as per IS 1538.

Test Pressure (Hydrostatic) :

Shell : 1.5 MPa

Seat : 1.0 MPa

Maximum Working Temperature : 45°C

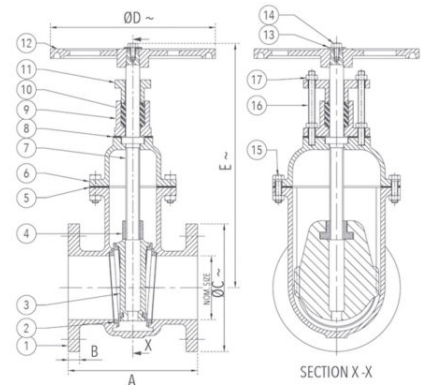
Suitable For

Water



Materials

P.No.	Name of Part	Material of Construction	Specification	Qty.
1	Body	Cast Iron	IS 210 Gr. FG 200	1
2	Seat Ring	Bronze	IS 318 Gr. LTB2	4
3	Wedge	Cast Iron	IS 210 Gr. FG 200	1
4	Stem Bush	Bronze	IS 318 Gr. LTB2	1
5	Gasket	Rubber	IS 638 Type B	1
6	Bonnet	Cast Iron	IS 210 Gr. FG 200	1
7	Stem	Stainless Steel	IS 6603 Gr. 12 Cr. 12	1
8	Gasket	Rubber	IS 638 Type B	1
9	Stuffing Box	Cast Iron	IS 210 Gr. FG 200	1
10	Gland Packing	Hemp & Jute	IS 5414	-
11	Gland Flange	Cast Iron	IS 210 Gr. FG 200	1
12	Handwheel	Cast Iron	IS 210 Gr. FG 200	1
13	Washer	Carbon Steel	- - -	1
14	Bolt	Carbon Steel	IS 1363 Part 1 Class 4.6	1
15	Bolt & Nut	Carbon Steel	IS 1363 Part 1 Class 4.6 IS 1363 Part 3 Class 4.0	As Reqd.
16	Stud / Bolt	Carbon Steel	IS 1363 Part 1 Class 4.6	2
17	Nut	Carbon Steel	IS 1363 Part 3 Class 4.0	As Reqd.



Sizes / Dimensions

Size (Inches)	Size (mm)	A	B	ØC	ØD ±5.0	E (Max.)
2*	50	178 ±2	16 +2	165 (+1.5/-1.0)	225	365
2 1/2*	65	190 ±2	16 +2	185 (+1.5/-1.0)	225	380
3	80	203 ±2	21 ±3	200 ±4.5	225	425
4	100	229 ±2	22 ±3	220 ±4.5	320	470
5	125	254 ±2	22.5 ±3	250 ±4.5	320	485
6	150	267 ±2	23 ±3	285 (+5.5/-2.5)	320	595
8	200	292 ±2	24.5 ±3	340 (+5.5/-2.5)	360	725
10	250	330 ±2	26 ±3	395 (+5.5/-2.5)	400	835
12	300	356 ±2	27.5 ±3	445 (+5.5/-2.5)	400	910
14 ¹	350 ¹	381 ±3	29 ±3	505 (+6.5/-3.0)	500	1020
16 ¹	400 ¹	406 ±3	30 ±3	565 (+6.5/-3.0)	640	1110
18 ¹	450 ¹	432 ±3	31.5 ±3	615 (+6.5/-3.0)	720	1200

Size (Inches)	Size (mm)	A	B	ØC	ØD ±5.0	E (Max.)
24 ^{*1}	600 ^{*1}	508 ±3	36 ±3	780 (+6.5/-3.0)	720	1500

* Flanges as per IS 14846.

^{*1} IS Certification for these sizes is currently under process.

NOTE : Valves are also available with extended stem, Pad lock arrangement, Limit switch and Brass spindle at a nominal extra cost. By Pass arrangement (for sizes 200mm & above) can also be provided at a nominal extra cost.

1079B Cast Iron Sluice Valve PN 1.6 (Flanged)

Salient Features

- Design Standard IS 14846 PN 1.6.
- Bolted Bonnet, Inside Screw, Non-Rising Stem.
- Rigid and Sturdy design.
- Handwheel Operated.
- Flange Ends as per IS 1538.

Test Pressure (Hydrostatic) :

Shell : 2.4 MPa

Seat : 1.6 MPa

Maximum Working Temperature : 45°C

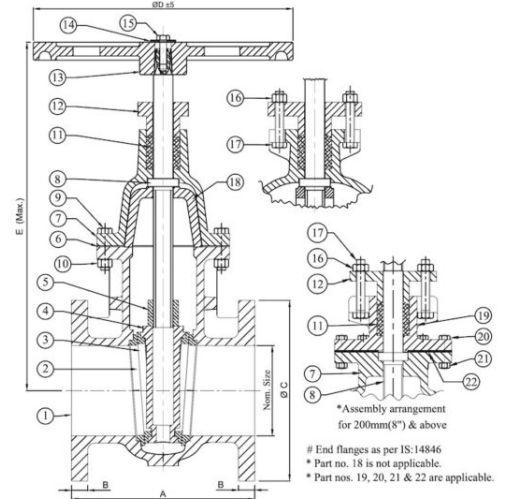
Suitable For

Water



Materials

P.No.	Name of Part	Material of Construction	Specification	Qty.
1	Body	Cast Iron	IS 210 Gr. FG 200	1
2	Body Seat Ring	Bronze	IS 318 Gr. LTB 2	2
3	Wedge Ring	Bronze	IS 318 Gr. LTB 2	2
4	Wedge	Cast Iron	IS 210 Gr. FG 200	1
5	Stem Bush	Bronze	IS 318 Gr. LTB 2	1
6	Gasket	Rubber	IS 638 Type B	1
7	Bonnet	Cast Iron	IS 210 Gr. FG 200	1
8	Stem	Stainless Steel	IS 6603 Gr. 12 Cr. 12	1
9	Bolts	Carbon Steel	IS 1363 Part 1 Class 4.6	To Suit
10	Nuts	Carbon Steel	IS 1363 Part 3 Class 4.0	To Suit
11	Gland Packing	Hemp & Jute	IS 5414	-
12	Gland Flange	Cast Iron	IS 210 Gr. FG 200	1
13	Handwheel	Cast Iron	IS 210 Gr. FG 200	1
14	Washer	Carbon Steel	- - -	1
15	Bolt	Carbon Steel	IS 1363 Part 1 Class 4.6	1
16	Nuts	Carbon Steel	IS 1363 Part 3 Class 4.0	2
17	Bolts	Carbon Steel	IS 1363 Part 1 Class 4.6	2
18	Thrust Plate	Cast Iron	IS 210 Gr. FG 200	1
19	Stuffing Box	Cast Iron	IS 210 Gr. FG 200	1
20	Bolts	Carbon Steel	IS 1363 Part 1 Class 4.6	To Suit
21	Nuts	Carbon Steel	IS 1363 Part 3 Class 4.0	To Suit
22	Gasket	Rubber	IS 638 Type B	1



Sizes / Dimensions

Size (Inches)	Size (mm)	A	B	ØC	ØD ±5	E (Max.)
2*	50	178 ±2	16 +2	165 (+1.5/-1.0)	280	365
2 1/2*	65	190 ±2	16 +2	185 (+1.5/-1.0)	280	380
3	80	203 ±2	21 ±3	200 ±4.5	280	425
4	100	229 ±2	22 ±3	220 ±4.5	360	470
5	125	254 ±2	22.5 ±3	250 ±4.5	360	485
6	150	267 ±2	23 ±3	285 (+5.5/-2.5)	360	595
8 [#]	200 [#]	292 ±3	24.5 ±3	340 (+5.5/-2.5)	450	725
10 [#]	250 [#]	330 ±3	26 ±3	395 (+5.5/-2.5)	640	835

Size (Inches)	Size (mm)	A	B	ØC	ØD ±5	E (Max.)
12 [#]	300 [#]	356 ±3	27.5 ±3	445 (+5.5/-2.5)	640	910

* Flanges as per IS 14846.

[#] For size 200, 250 and 300 part number 18 is not applicable.

NOTE : Valves are also available with extended stem, Pad lock arrangement, Limit switch and Brass spindle at a nominal extra cost. By Pass arrangement (for sizes 200mm & above) can also be provided at a nominal extra cost.

1079C Cast Iron Sluice Valve PN 1.0 (Flanged) with Rising Stem

Salient Features

- Design Reference Standard IS 14846.
- Bolted Bonnet, Outside Screw, Yoke Type, Rising Spindle, Solid Wedge.
- Rigid and Sturdy design.
- Hand wheel operated.
- Flanged ends to IS 1538.
- Provision of Re-Packing under pressure.

Test Pressure (Hydrostatic) :

Shell : 1.5 MPa

Seat : 1.0 MPa

Maximum Working Temperature : 45°C

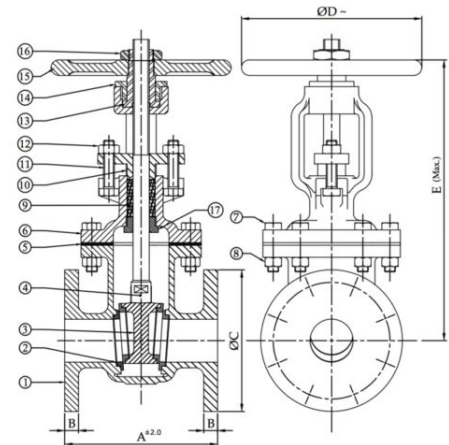
Suitable For

Water



Materials

P.No.	Name of Part	Material of Construction	Specification	Qty.
1	Body	Cast Iron	IS 210 Gr. FG 200	1
2	Seat Ring	Bronze	IS 318 Gr. LTB 2	4
3	Wedge	Cast Iron	IS 210 Gr. FG 200	1
4	Stem	Stainless Steel	IS 6603 Gr. 12 Cr. 12	1
5	Gasket	Rubber	IS 638 Type B	1
6	Bonnet	Cast Iron	IS 210 Gr. FG 200	1
7	Bolt	Carbon Steel	IS 1363 Part 1 Class 4.6	As Reqd.
8	Nut	Carbon Steel	IS 1363 Part 3 Class 4.0	As Reqd.
9	Gland Packing	Hemp. & Jute	IS 5414	-
10	Gland Flange	Cast Iron	IS 210 Gr. FG 200	1
11	Bolt	Carbon Steel	IS 1363 Part 1 Class 4.6	2
12	Nut	Carbon Steel	IS 1363 Part 3 Class 4.0	2
13	Sleeve	S.G Iron	IS 1865	1
14	Sleeve Nut	Stainless Steel	IS 6603 Gr. 12 Cr. 12	1
15	Handwheel	Cast Iron	IS 210 Gr. FG 200	1
16	Handwheel Nut	Stainless Steel	IS 6603 Gr. 12 Cr. 12	1
17	Back Seat Bush	Bronze	IS 318 Gr. LTB 2	1



Sizes / Dimensions

Size (Inches)	Size (mm)	A ±2	B	ØC	ØD ~	E (Max.)
2*	50	178	16 +2	165 (+1.5/-1.0)	210	350
2 1/2*	65	190	16 +2	185 (+1.5/-1.0)	210	410
3	80	203	21 ±3	200 ±4.5	225	455
4	100	229	22 ±3	220 ±4.5	255	540
5	125	254	22.5 ±3	250 ±4.5	255	588
6	150	267	23 ±3	285 (+5.5/-2.5)	310	655
8	200	292	24.5 ±3	340 (+5.5/-2.5)	395	780
10	250	330	26 ±3	395 (+5.5/-2.5)	460	960
12	300	356	27.5 ±3	445 (+5.5/-2.5)	460	1140

~ ±10

* Flanges as per IS 14846.

NOTE : Valves are also available with brass spindle and Pad lock arrangement at a nominal extra cost. By Pass arrangement (for sizes 200mm & above) can also be provided at a nominal extra cost.

1079D Cast Iron Sluice Valve PN 1.6 (Flanged) with Rising Stem

Salient Features

- Design Reference Standard IS 14846.
- Bolted Bonnet, Outside Screw, Yoke Type, Rising Spindle, Solid Wedge.
- Rigid and Sturdy design.
- Hand wheel operated.
- Flanged ends to IS 1538.
- Provision of Re-Packing under pressure.

Test Pressure (Hydrostatic) :
Shell : 2.4 MPa
Seat : 1.6 MPa
Maximum Working Temperature : 45°C

Suitable For

Water



Materials

P.No.	Name of Part	Material of Construction	Specification	Qty.
1	Body	Cast Iron	IS 210 Gr. FG 200	1
2	Seat Ring	Bronze	IS 318 Gr. LTB 2	4
3	Wedge	Cast Iron	IS 210 Gr. FG 200	1
4	Stem	Stainless Steel	IS 6603 Gr. 12 Cr. 12	1
5	Gasket	Rubber	IS 638 Type B	1
6	Bonnet	Cast Iron	IS 210 Gr. FG 200	1
7	Bolt	Carbon Steel	IS 1363 Part 1 Class 4.6	As Reqd.
8	Nut	Carbon Steel	IS 1363 Part 3 Class 4.0	As Reqd.
9	Gland Packing	Hemp. & Jute	IS 5414	-
10	Gland Flange	Cast Iron	IS 210 Gr. FG 200	1
11	Bolt	Carbon Steel	IS 1363 Part 1 Class 4.6	2
12	Nut	Carbon Steel	IS 1363 Part 3 Class 4.0	2
13	Sleeve	S.G Iron	IS 1865	1
14	Sleeve Nut	Stainless Steel	IS 6603 Gr. 12 Cr. 12	1
15	Handwheel	Cast Iron	IS 210 Gr. FG 200	1
16	Washer	Carbon Steel	- - -	1
17	Handwheel Nut	Stainless Steel	IS 6603 Gr. 12 Cr. 12	1
18	Back Seat Bush	Bronze	IS 318 Gr. LTB 2	1

Sizes / Dimensions

Size (Inches)	Size (mm)	A ±2	B	ØC	ØD ~	E (Max.)
2*	50	178	16 +2	165 (+1.5/-1.0)	210	350
2 1/2*	65	190	16 +2	185 (+1.5/-1.0)	210	410
3	80	203	21 ±3	200 ±4.5	225	455
4	100	229	22 ±3	220 ±4.5	255	540
6	150	267	23 ±3	285 (+5.5/-2.5)	310	655
8	200	292	24.5 ±3	340 (+5.5/-2.5)	395	780
10	250	330	26 ±3	395 (+5.5/-2.5)	460	960
12	300	356	27.5 ±3	445 (+5.5/-2.5)	460	1140

~ ±10

* Flanges as per IS 14846.

NOTE : Valves are also available with brass spindle and Pad lock arrangement at a nominal extra cost. By Pass arrangement (for sizes 200mm & above) can also be provided at a nominal extra cost.

1096 Ductile Iron Sluice Valve PN 1.6 (Flanged)



Salient Features

- Design Standard IS 14846 PN 1.6.
- Bolted Bonnet, Inside Screw, Non-Rising Stem.
- Rigid and Sturdy design.
- Handwheel Operated.
- Flange Ends as per IS 1538.

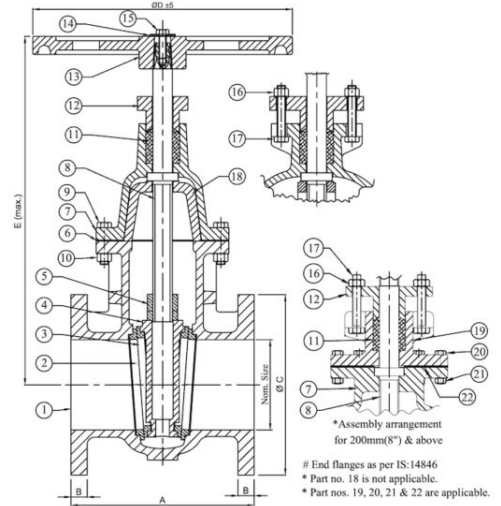
Test Pressure (Hydrostatic) :
Shell : 2.4 MPa
Seat : 1.6 MPa
Maximum Working Temperature : 45°C

Suitable For
Water



Materials

P.No.	Name of Part	Material of Construction	Specification	Qty.
1	Body	Ductile Iron	IS 1865 Gr. SG 500/7	1
2	Body Seat Ring	Bronze	IS 318 Gr. LTB 2	2
3	Wedge Ring	Bronze	IS 318 Gr. LTB 2	2
4	Wedge	Ductile Iron	IS 1865 Gr. SG 500/7	1
5	Stem Bush	Bronze	IS 318 Gr. LTB 2	1
6	Gasket	Rubber	IS 638 Type B	1
7	Bonnet	Ductile Iron	IS 1865 Gr. SG 500/7	1
8	Stem	Stainless Steel	IS 6603 Gr. 12 Cr. 12	1
9	Bolt	Carbon Steel	IS 1363 Part 1 Class 4.6	To Suit
10	Nuts	Carbon Steel	IS 1363 Part 3 Class 4.0	To Suit
11	Packing	Hemp & Jute	IS 5414	-
12	Gland Flange	Ductile Iron	IS 1865 Gr. SG 500/7	1
13	Handwheel	Ductile Iron	IS 1865 Gr. SG 500/7	1
14	Washer	Carbon Steel	- - -	1
15	Bolt	Carbon Steel	IS 1363 Part 1 Class 4.6	1
16	Nuts	Carbon Steel	IS 1363 Part 3 Class 4.0	2
17	Bolts	Carbon Steel	IS 1363 Part 1 Class 4.6	2
18	Thrust Plate	Ductile Iron	IS 1865 Gr. SG 500/7	1
19	Stuffing Box	Ductile Iron	IS 1865 Gr. SG 500/7	1
20	Bolts	Carbon Steel	IS 1363 Part 1 Class 4.6	To Suit
21	Nuts	Carbon Steel	IS 1363 Part 3 Class 4.0	To Suit
22	Gasket	Rubber	IS 638 Type B	1



Sizes / Dimensions

Size (Inches)	Size (mm)	A	B	ØC	ØD ±5	E (Max.)
2"	50"	178 ±2	16 +2	165 (+1.5/-1.0)	280	365
2 1/2"	65"	190 ±2	16 +2	185 (+1.5/-1.0)	280	380
3	80	203 ±2	21 ±3	200 ±4.5	280	425
4	100	229 ±2	22 ±3	220 ±4.5	360	470
5	125	254 ±2	22.5 ±3	250 ±4.5	360	485
6	150	267 ±2	23 ±3	285 (+5.5/-2.5)	360	595
8"	200"	292 ±3	24.5 ±3	340 (+5.5/-2.5)	450	725
10"	250"	330 ±3	26 ±3	395 (+5.5/-2.5)	640	835

Size (Inches)	Size (mm)	A	B	ØC	ØD ±5	E (Max.)
12*	300*	356 ±3	27.5 ±3	445 (+5.5/-2.5)	640	910

Flanges as per IS 14846.

* For size 200, 250 and 300 part number 18 is not applicable.

NOTE : Valves are also available with extended stem, Pad lock arrangement, Limit switch and Brass spindle at a nominal extra cost. By Pass arrangement (for sizes 200mm & above) can also be provided at a nominal extra cost.