

1067 Cast Iron Horizontal Lift Check Valve Straight Pattern (Flanged)

I.B.R

Salient Features

- Flanged Ends to DIN 2533 PN 16RF.
- Straight Pattern, Bolted Cover.
- Renewable 13% Cr. Stainless Steel (S.S 410) working parts.
- Minimum pressure drop inside the body due to streamlined body design.

Test Pressure (Hydrostatic) :

Shell : 26 kg/cm²g (370 psig)

Working Pressure (Steam) : 13 kg/cm²g (185 psig)

Maximum Working Temperature : 220°C

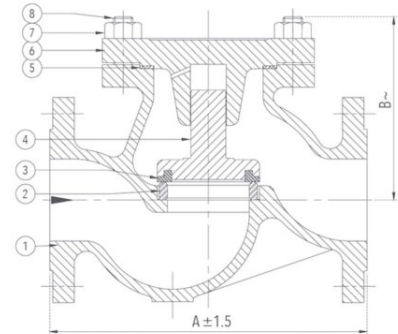
Suitable For

Steam, Water



Materials

P.No.	Name of Part	Material of Construction	Specification	Qty.
1	Body	Cast Iron	IBR 86-93 Gr. A	1
2	Body Seat Ring	Stainless Steel	ASTMA 276 Type 410 / ASTMA 182 Gr. F6a	1
3	Disc Ring	Stainless Steel	ASTMA 276 Type 410 / ASTMA 182 Gr. F6a	1
4	Disc	Cast Iron	IBR 86-93 Gr. A	1
5	Gasket	Steam Jointing Sheet	IS 2712 Gr. W/3	1
6	Bonnet	Cast Iron	IBR 86-93 Gr. A	1
7	Nuts	Carbon Steel	IS 1367	As Reqd.
8	Studs	Carbon Steel	IS 1367	As Reqd.



Sizes / Dimensions

Size (Inches)	Size (mm)	A ±1.5	B ~
1/2	15	130	66
3/4	20	150	70
1	25	160	76
1 1/4	32	180	85
1 1/2	40	200	102
2	50	230	114
2 1/2	65	290	123
3	80	310	140
4	100	350	154
5	125	400	200
6	150	480	230
8*	200	600	275

* Pressure and Temperature for 200 mm Valve is as per PN10 and flanges to PN 10RF.

~ ±10