

1053A Forged Brass Y-Type Strainer (Screwed) PN 25

Salient Features

- Screwed Female Ends to BSP.
- Stainless Steel (S.S 304) Ø1 mm perforated sheet screen is guided in the body and cover.
- Fine finish and smooth contours reduce pressure drop in the strainer.
- Large screening area makes the strainer efficient in performance.

Test Pressure (Hydrostatic) :

Shell : 35 kg/cm²g (500 psig)

Working Pressure : 25 kg/cm²g (350 psig)

Suitable For

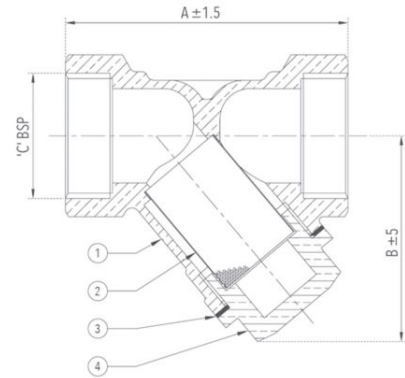
Steam*, Water, Oil, Air*, Gases*

*Suitable for pressure upto 6.9 kg/cm²g (100 psig)



Materials

P.No.	Name of Part	Material of Construction	Specification	Quantity
1	Body	Forged Brass	IS 6912 Gr. FLB	1
2	Screen (Ø1 mm Perforation)	Stainless Steel	Type 304	1
3	Gasket	PTFE	BS EN 12086-1	1
4	Cover	Forged Brass	IS 6912 Gr. FLB	1



Sizes / Dimensions

Size (Inches)	Size (mm)	A ± 1.5	B ± 5	C
1/2	15	54	45	1/2"
3/4	20	67.5	56	3/4"
1	25	75	56	1"
1 1/4	32	94	73	1 1/4"
1 1/2	40	100	80	1 1/2"
2	50	126	99	2"