

## 1078A Butterfly Valve (Wafer Type) PN 1.6 with S.G Iron Disc - Gear Operated

### Salient Features

- Design Standard IS 13095 / BS EN 593 (BS 5155).
- Wafer Type.
- Gear Operated.
- S.G Iron construction.
- S.G Iron disc which is accurately guided between the two stems.
- Integrally moulded rubber lining (EPDM / Nitrile / Neoprene\* / Viton\* / Silicon\*) as per requirement which provides seating to the valve disc, as a primary seal to the stem and gasket joint with matching pipe flanges.
- Two Piece Stem design which is precisely guided between the PTFE / Bronze bushes.
- Compatible to sandwich between flanges as per BS 10 Table D, E, F,H, DIN, PN 10, PN 16, PN 25, PN 40, ASA 150, ASA 300, IS 778, IS 6392 Table 17 and IS 1538.

\*Valves with Neoprene / Viton / Silicon lining can also be provided at nominal extra cost.

PN 1.0 -

Test Pressure (Hydrostatic) :

Shell : 1.5 MPa

Seat : 1.1 MPa

Maximum Working Pressure : 1.0 MPa

Maximum Working Temperature : 90°C

PN1.6 -

Test Pressure (Hydrostatic) :

Shell : 2.4 MPa

Seat : 1.76 MPa

Maximum Working Pressure : 1.6 MPa

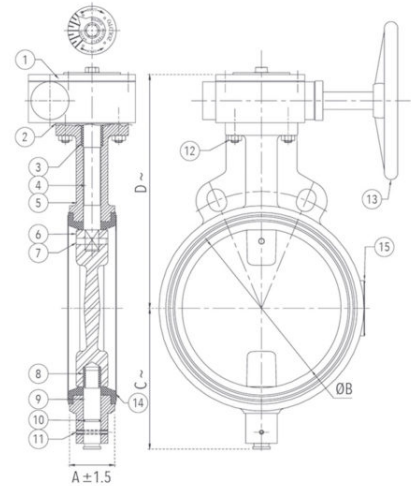
Maximum Working Temperature : 90°C

### Suitable For

Water

### Materials

P.No.	Name of Part	Material of Construction	Specification	Qty.
1	Gear Box Assembly	---	---	1
2	Gasket	Steam Jointing Sheet	IS2712 Gr. W/3	1
3	Packing Bush	Bronze	IS 318 Gr. LTB 2	1
4	Upper Stem	Stainless Steel	IS 6603 Gr. 12 Cr12	1
5	Body	S.G Iron	IS 1865 Gr. 400/15	1
6	Disc	S. G Iron (Epoxy Coated)	IS 1865 Gr. 400/15	1
7	Taper Pin (Optional)	Stainless Steel	IS 6603 Gr. 12 Cr12	1
8	Bush	Bronze	IS 318 Gr. LTB 2	1
9	Lower Stem	Stainless Steel	IS 6603 Gr. 12 Cr12	1
10	'O' Ring	Nitrile Rubber	IS 5192 - 1	1
11	L- Key Screw	Carbon Steel	---	1
12	C - Sunk Screw & Nuts	Carbon Steel	---	4 Each
13	Handwheel	Sheet Metal	---	1
14	Body Lining	EPDM / Nitrile	IS 5192 - 1	1
15	Name Plate	Aluminium	---	1



### Sizes / Dimensions

Size (Inches)	Size (mm)	A	ØB	C ~	D ~
8	200	60 ±1.5	201.6	180	295
10	250	68 ±1.5	252.2	220	320
12	300	78 ±1.5	301.3	250	344
14 <sup>#</sup>	350	85 ±3	352	280	380
16 <sup>#</sup>	400	96 ±3	393.8	300	410

Size (Inches)	Size (mm)	A	ØB	C ~	D ~
18 <sup>#</sup>	450	108 ±3	442	330	466
20 <sup>#</sup>	500	127 ±4	504.2	415	600
24 <sup>#</sup>	600	146.5 ±4	593	440	610

~ ±10

# Non-ISI with Pressure Rating PN-1.0

**Note :** Valves are also available with limit switch (Non-ISI) and Pad lock arrangement at nominal extra cost.