

1084A Cast Iron Y-Type Strainer, PN 16 (Flanged)

Salient Features

- Flanged Ends to BS 10 Table 'F'.
- Stainless Steel (S.S 304) perforated sheet screen (Ø3 mm Perforation) is guided in body and cover.
- Large screening area makes the strainer efficient in performance.
- Minimum pressure drop inside the body due to streamlined body contours.

Test Pressure (Hydrostatic) :

Shell : 24 kg/cm²g (340 psig)

Maximum Working Pressure : 16 kg/cm²g (225 psig)

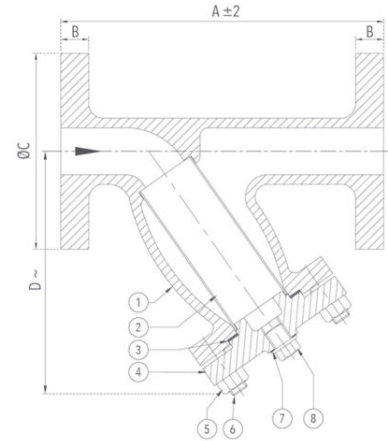
Suitable For

Water



Materials

P.No.	Name of Part	Material of Construction	Specification	Qty.
1	Body	Cast Iron	IS 210 Gr. FG 200	1
2	Screen (Ø3 mm Perforation)	Stainless Steel	Type 304	1
3	Gasket	Rubber	IS 638 Type B	1
4	Cover	Cast Iron	IS 210 Gr. FG 200	1
5	Nuts	Carbon Steel	---	As Reqd.
6	Studs	Carbon Steel	---	As Reqd.
7	Gasket	Rubber	IS 638 Type B	1
8	Drain Plug	Brass / Bronze	IS 6912 Gr. FLB / IS 318 Gr. LTB 2	1



Sizes / Dimensions

Size (Inches)	Size (mm)	A ±2	B +3	ØC +3	D ~
1 1/2	40	165	16	139.7	152
2	50	180	19	165.1	169
2 1/2	65	206	19	184.2	180
3	80	260	19	203.2	242
4	100	295	22.2	228.6	267
5	125	385	25.4	279.4	320
6	150	385	25.4	304.8	331
8	200	525	28.6	368.3	434
10	250	700	28.6	431.8	533

~ ±10

Note : Strainers are also available with Magnet at a nominal extra cost.