

1010A Bronze Angle Type Lift Check Valve (Screwed)

Salient Features

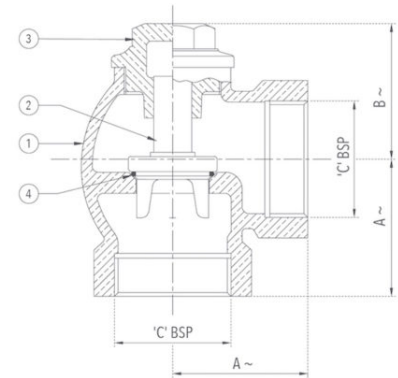
- Screwed Female Ends to IS 554 / BS 21 / ISO 7.
- Angle Pattern, Screwed in Bonnet, Integral Seat.
- Permits flow in one direction and closes automatically if the flow reverses.
- Metal Disc is mushroom shaped with spherical seating surface.
- Disc is guided in Body as well as in Bonnet.
- Medium Pattern.
- Also available with metal to metal seating.

Test Pressure (Hydrostatic) :
Shell : 24 kg/cm²g (340 psig)
Seat : 16 kg/cm²g (225 psig)
Maximum Working Temperature : 80°C

Suitable For
Water, Oil

Materials

P.No.	Name of Part	Material of Construction	Specification	Quantity
1	Body	Bronze	IS 318 Gr. LTB 2	1
2	Disc	Bronze	IS 318 Gr. LTB 2	1
3	Bonnet	Forged Brass	IS 6912 Gr. FLB	1
4	'O' Ring	Nitrile Rubber	IS 5192 - 1	1



Sizes / Dimensions

Size (Inches)	Size (mm)	A ~	B ~	C
1/2	15	29	34	1/2"
3/4	20	35	40	3/4"
1	25	43	46	1"
1 1/4	32	47	53	1 1/4"
1 1/2	40	54	61	1 1/2"
2	50	66	70	2"

~ ±10