

## 1011 Bronze Horizontal Check Valve No.5 (Screwed)

### Salient Features

- Screwed Female Ends to IS 554 / BS 21 / ISO 7.
- Screwed in Bonnet, Integral Seat.
- Permits flow in one direction and closes automatically if the flow reverses.
- Metal Disc is mushroom shaped with spherical seating surface.
- Meant for Horizontal Lines Only.
- Disc is guided in Body as well as in Bonnet.
- Heavy Pattern.
- Also available with metal to metal seating.

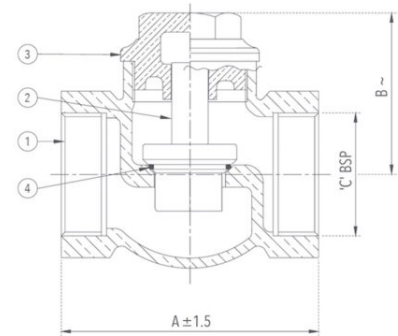
Test Pressure (Hydrostatic) :  
Shell : 35 kg/cm<sup>2</sup>g (500 psig)  
Seat : 20 kg/cm<sup>2</sup>g (285 psig)  
Maximum Working Temperature : 80°C

### Suitable For

Water, Oil

### Materials

P.No.	Name of Part	Material of Construction	Specification	Quantity
1	Body	Bronze	IS 318 Gr. LTB 2	1
2	Disc	Bronze	IS 318 Gr. LTB 2	1
3	Bonnet	Bronze	IS 318 Gr. LTB 2	1
4	'O' Ring	Nitrile Rubber	IS 5192 - 1	1



### Sizes / Dimensions

Size (Inches)	Size (mm)	A ± 1.5	B ~	C
1/4	8	34	28	1/4"
3/8	10	41	35	3/8"
1/2	15	52	42	1/2"
3/4	20	65	48	3/4"
1	25	82	55	1"
1 1/4	32	88	61	1 1/4"
1 1/2	40	98	66	1 1/2"
2	50	120	75	2"
2 1/2	65	133	84	2 1/2"
3	80	160	96	3"

~ ±10