

## 1019 Bronze Ferrule Cock (Heavy)

### Salient Features

- Screwed Male Ends (Inlet to BSPT and Outlet to BSP) to IS 554 / BS 21 / ISO 7.
- Heavy Pattern, Rough Body, Full Flow.
- Metal to Metal contact seating.
- Can withstand heavy impact of water as well as tolerance of high sudden pressure.

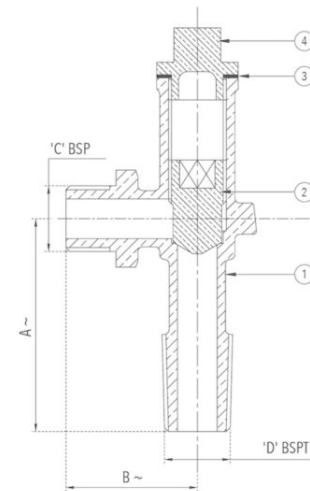
Test Pressure (Hydrostatic) :  
Shell : 24 kg/cm<sup>2</sup>g (340 psig)  
Seat : 16 kg/cm<sup>2</sup>g (225 psig)  
Maximum Working Temperature : 225°C

**Suitable For**  
Water



### Materials

P.No.	Name of Part	Material of Construction	Specification	Quantity
1	Body	Bronze	IS 318 Gr. LTB 2	1
2	Plug	Bronze	IS 318 Gr. LTB 2	1
3	Joint Washer	Leather	- - -	1
4	Cap	Bronze	IS 318 Gr. LTB 2	1



### Sizes / Dimensions

Size (Inches)	Size (mm)	A ±5	B ±5	C	D
1/2	15	70	42	1/2"	1/2"
3/4	20	75	50	3/4"	3/4"
1	25	80	60	1"	1"