

1033 Bronze Globe Valve (Screwed) 

Salient Features

- Screwed Female Ends to IS 554 / BS 21 / ISO 7.
- Screwed in Bonnet, Inside Screw, Rising Stem, Integral Seat.
- Provision for re-packing under pressure.
- Premium Quality PTFE Gland Packing.
- Design Standard IS 778, Class-1.
- Designed sheet metal handwheel for a firm grip and convenient operation.

Test Pressure (Hydrostatic) :
Shell : 1.5 MPa
Seat & Back Seat : 1.0 MPa
Maximum Working Temperature : 45°C

Suitable For

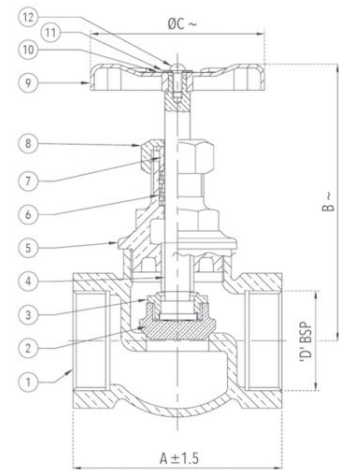
Water, Oil

*Also available with Open-Shut Indicator & Locking Device and with PTFE Seating, at a nominal extra price.



Materials

P.No.	Name of Part	Material of Construction	Specification	Quantity
1	Body	Bronze	IS 318 Gr. LTB 2	1
2	Disc	Bronze	IS 318 Gr. LTB 2	1
3	Disc Nut	Bronze	IS 318 Gr. LTB 2	1
4	Stem	Forged Brass	IS 6912 Gr. FLB	1
5	Bonnet	Bronze	IS 318 Gr. LTB 2	1
6	Gland Packing	PTFE	---	-
7	Gland	Forged Brass	IS 6912 Gr. FLB	1
8	Gland Nut	Forged Brass	IS 6912 Gr. FLB	1
9	Handwheel	Sheet Metal (Powder Coated)	---	1
10	Name Plate	Aluminium	---	1
11	Washer	Carbon Steel (Zinc Plated)	---	1
12	Screw / Bolt	Carbon Steel (Zinc Plated)	---	1



Sizes / Dimensions

Size (Inches)	Size (mm)	A ±1.5	B ~	ØC ~	D
1/4	8	47	67	50	1/4"
3/8	10	50	70	50	3/8"
1/2	15	60	90	60	1/2"
3/4	20	70	105	65	3/4"
1	25	80	115	70	1"
1 1/4	32	95	127	80	1 1/4"
1 1/2	40	110	138	90	1 1/2"
2	50	125	162	110	2"
2 1/2	65	160	183	115	2 1/2"
3	80	180	207	140	3"
4	100	216	250	160	4"

~ ±10

NOTE : 1. For size 8 & 10 part number 2 and 3 is not applicable.
2. For size 15 and 20 part number 3 is not applicable.