

1038 Bronze Horizontal Check Valve (Screwed)

Salient Features

- Screwed Female Ends to IS 554 / BS 21 / ISO 7.
- Screwed in Bonnet, meant for Horizontal Lines Only.
- Permits flow in one direction and shuts automatically if the flow reverses.
- Metal Disc is mushroom shaped with spherical seating surface.
- Disc is guided in Body as well as in Bonnet.
- Design Standard IS 778, Class-1.
- Also available with metal to metal seating.

Test Pressure (Hydrostatic) :
Shell : 1.5 MPa
Seat : 0.25 MPa
Maximum Working Temperature : 45°C

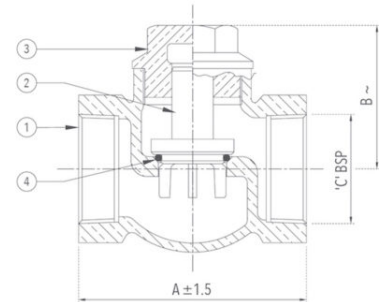
Suitable For

Water, Oil



Materials

| P.No. | Name of Part | Material of Construction | Specification | Quantity |
|-------|--------------|--------------------------|------------------------------------|----------|
| 1 | Body | Bronze | IS 318 Gr. LTB 2 | 1 |
| 2 | Disc | Bronze | IS 318 Gr. LTB 2 | 1 |
| 3 | Bonnet | Bronze / Forged Brass | IS 318 Gr. LTB 2 / IS 6912 Gr. FLB | 1 |
| 4 | 'O' Ring | Nitrile Rubber | IS 5192 - 1 | 1 |



Sizes / Dimensions

| Size (Inches) | Size (mm) | A ±1.5 | B ~ | C |
|---------------|-----------|--------|-----|--------|
| 1/2* | 15* | 60 | 40 | 1/2" |
| 3/4* | 20* | 70 | 45 | 3/4" |
| 1* | 25* | 80 | 55 | 1" |
| 1 1/4 | 32 | 95 | 59 | 1 1/4" |
| 1 1/2 | 40 | 110 | 65 | 1 1/2" |
| 2 | 50 | 125 | 74 | 2" |
| 2 1/2 | 65 | 160 | 85 | 2 1/2" |
| 3 | 80 | 180 | 105 | 3" |
| 4 | 100 | 216 | 131 | 4" |

~ ±10

*Bonnet for Size 15, 20 and 25 is of Forged Brass.