

## 1040A Bronze Compact Pressure Reducing Valve (Screwed)

### Salient Features

- Screwed Female Ends to IS 554 / BS 21 / ISO 7.
- Piston operated, hence more reliable than conventional diaphragm type PRV.
- Compact size, easy to Install.
- Diaphragm-less, Piston Type.
- Demands low maintenance and virtually noiseless.
- Provided with Premium Quality Nitrile Rubber 'O'Rings.
- Facility provided to install a pressure gauge of 1/4" BSP size to gauge the critically relevant outlet pressure.
- Designed to suit every application requiring accurate pressure ratings.
- All 'O' rings are of superior food grade material, hence ensuring absolute zero health hazard.



Test Pressure (Hydrostatic) :

Shell : 35 bar

Maximum Upstream Pressure : 25 bar

Maximum Working Temperature : 80°C

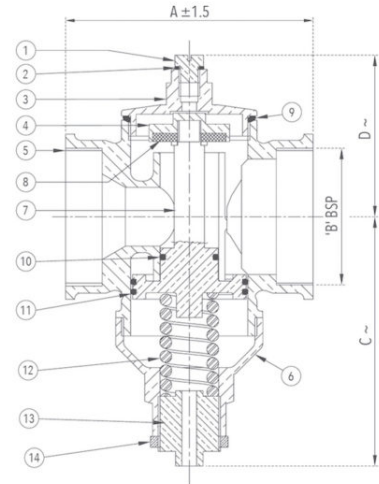
**NOTE :** At maximum inlet pressure 25 bar, the minimum outlet pressure will be 5.5 bar.

### Suitable For

Water

### Materials

P.No.	Name of Part	Material of Construction	Specification	Quantity
1	Plug	Forged Brass	IS 6912 Gr. FLB	1
2	O - Ring	Nitrile Rubber	IS 5192 - 1	1
3	Bonnet	Bronze	IS 318 Gr. LTB 2	1
4	Disc Holder	Bronze	IS 318 Gr. LTB 2	1
5	Body	Bronze	IS 318 Gr. LTB 2	1
6	Chamber	Bronze	IS 318 Gr. LTB 2	1
7	Piston	Bronze	IS 318 Gr. LTB 2	1
8	Disc	Nitrile Rubber	IS 5192 - 1	1
9	Gasket	PTFE	- - -	1
10	O - Ring	Nitrile Rubber	IS 5192 - 1	1
11	O - Ring	Nitrile Rubber	IS 5192 - 1	1
12	Spring	Spring Steel	EN 47 Gr. B	1
13	Adjustable Ring	Bronze	IS 318 Gr. LTB 2	1
14	Locking Ring	Bronze	IS 318 Gr. LTB 2	1



### Sizes / Dimensions

Size (Inches)	Size (mm)	A ±1.5	B	C ~	D ~
2 1/2	65	135	2 1/2"	130	87
3	80	160	3"	150	101
4	100	160	4"	162	115

~ ±10