

## 1081A Stainless Steel (CF8 / S.S-304) Three Piece Design Ball Valve, Class-150 (Flanged)

### Salient Features

- Design Standard BS EN ISO 17292 (BS 5351).
- Flanged Ends to ASME B B16.5 Class-150 (Drilled).
- Three Piece Design.
- Superb in Quality and Performance.

Test Pressure (Hydrostatic) :

Shell : 31 kg/cm<sup>2</sup>g (440 psig)

Maximum Working Pressure : 21 kg/cm<sup>2</sup>g (300 psig)

Seat (Pneumatic) : 7 kg/cm<sup>2</sup>g (100 psig)

Maximum Working Temperature : 220°C

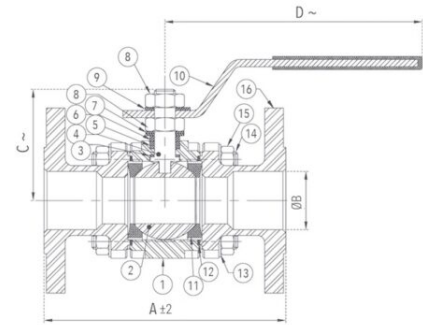
### Suitable For

Steam, Water, Oil, Air, Gases



### Materials

| P.No. | Name of Part   | Material of Construction | Specification                            | Qty. |
|-------|----------------|--------------------------|--|------|
| 1     | Body           | Stainless Steel          | ASTM A 351 Gr. CF8                       | 1    |
| 2     | Ball           | Stainless Steel          | ASTM A 276 Type 304 / ASTM A 351 Gr. CF8 | 1    |
| 3     | Thrust Washer  | PTFE 35% Carbon Filled   | ---                                      | 1    |
| 4     | Stem           | Stainless Steel          | ASTM A 276 Type 316                      | 1    |
| 5     | Packing Ring   | PTFE 35% Carbon Filled   | ---                                      | 2    |
| 6     | Gland          | Stainless Steel          | ASTM A 276 Type 304                      | 1    |
| 7     | Cup Washer     | Stainless Steel          | AISI A276 Type 304                       | 2    |
| 8     | Nut            | H.T Steel                | ASTM A 194 Gr. 2H                        | 2    |
| 9     | Spring Washer  | Spring Steel             | EN 47 Gr. B                              | 1    |
| 10    | Lever          | Carbon Steel             | ---                                      | 1    |
| 11    | Body Seat Ring | PTFE                     | ---                                      | 2    |
| 12    | Gasket         | PTFE                     | ---                                      | 2    |
| 13    | Spring Washer  | Spring Steel             | EN 47 Gr. B                              | 8    |
| 14    | Studs          | Alloy Steel              | ASTM A 193 Gr. B7                        | 4    |
| 15    | Nuts           | H.T Steel                | ASTM A 194 Gr. 2H                        | 8    |
| 16    | End Connector  | Stainless Steel          | ASTM A 351 Gr. CF8                       | 2    |



### Sizes / Dimensions

| Size (Inches) | Size (mm) | A ±2 | B    | C ~ | D ~ |
|---------------|-----------|------|------|-----|-----|
| 1/2           | 15        | 108  | 15   | 38  | 150 |
| 3/4           | 20        | 117  | 20   | 40  | 150 |
| 1             | 25        | 127  | 25   | 57  | 160 |
| 1 1/4         | 32        | 140  | 32   | 65  | 160 |
| 1 1/2         | 40        | 165  | 40   | 75  | 202 |
| 2             | 50        | 178  | 50   | 80  | 202 |
| 2 1/2*        | 65        | 191  | 63.5 | 125 | 250 |
| 3*            | 80        | 203  | 76   | 137 | 335 |
| 4*            | 100       | 229  | 100  | 158 | 335 |

~ ±10

\*Full Bore