

## 1047 Bronze Asbestos Packed Water Level Gauge (Screwed)

### Salient Features

- Screwed Male End to BSP.
- Asbestos Gland Packing.
- Set available for both, Right Hand and Left Hand operations.
- Polished Body.

Test Pressure (Hydrostatic) :

Shell : 21.10 kg/cm<sup>2</sup>g (300 psig)

Working Pressure (Steam) : 10.55 kg/cm<sup>2</sup>g (150 psig).

Maximum Working Temperature : 225°C

### Suitable For

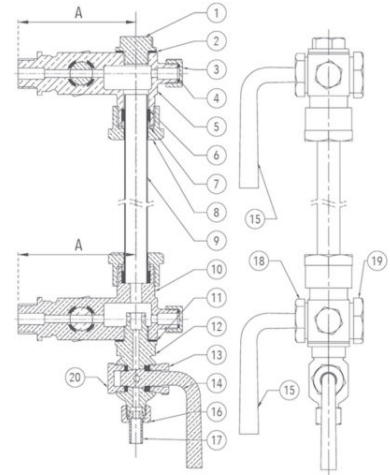
Steam, Water



### Materials

| P.No. | Name of Part  | Material of Construction | Specification          | Quantity |
|-------|---------------|--------------------------|------------------------|----------|
| 1     | Plug          | Bronze                   | IBR 282 (a) (iv) Gr. B | 1        |
| 2     | Gasket        | Steam Jointing Sheet     | IS 2712 Gr. W/3        | 1        |
| 3     | Lock Nut      | Bronze                   | IBR 282 (a) (iv) Gr. B | 2        |
| 4     | Gasket        | Steam Jointing Sheet     | IS 2712 Gr. W/3        | 2        |
| 5     | Upper Arm     | Bronze                   | IBR 282 (a) (iv) Gr. B | 1        |
| 6     | Gland Packing | Graphite Asbestos        | IS 4687                | -        |
| 7     | Gland         | Bronze                   | IBR 282 (a) (iv) Gr. B | 2        |
| 8     | Gland Nut     | Bronze                   | IBR 282 (a) (iv) Gr. B | 2        |
| 9     | Glass Tube*   | Toughened Glass          | - - -                  | 1        |
| 10    | Lower Arm     | Bronze                   | IBR 282 (a) (iv) Gr. B | 1        |
| 11    | Gasket        | Steam Jointing Sheet     | IS 2712 Gr. W/3        | 1        |
| 12    | Drain Valve   | Bronze                   | IBR 282 (a) (iv) Gr. B | 1        |
| 13    | Lock Nut      | Bronze                   | IBR 282 (a) (iv) Gr. B | 1        |
| 14    | Handle        | Bronze                   | IBR 282 (a) (iv) Gr. B | 1        |
| 15    | Handle        | Bronze                   | IBR 282 (a) (iv) Gr. B | 2        |
| 16    | Union Nut     | Bronze                   | IBR 282 (a) (iv) Gr. B | 1        |
| 17    | Tail Pipe     | Bronze                   | IBR 282 (a) (iv) Gr. B | 1        |
| 18    | Lock Nut      | Bronze                   | IBR 282 (a) (iv) Gr. B | 2        |
| 19    | Bottom Nut    | Bronze                   | IBR 282 (a) (iv) Gr. B | 2        |
| 20    | Bottom Nut    | Bronze                   | IBR 282 (a) (iv) Gr. B | 1        |

\* Glass Tube is not provided with this product.



### Sizes / Dimensions

| Size (Inches) | Size (mm) | A   |
|---------------|-----------|-----|
| 1/2           | 15        | 102 |
| 3/4           | 20        | 125 |