

## 1048 Bronze Asbestos Packed Water Level Gauge (Flanged) I.B.R

### Salient Features

- Flanged End to BS 10 Table 'F'.
- Asbestos Gland Packing.
- Set available for both, Right Hand and Left Hand operations.
- Polished Body.

Test Pressure (Hydrostatic) :

Shell : 21.10 kg/cm<sup>2</sup>g (300 psig)

Working Pressure (Steam) : 10.55 kg/cm<sup>2</sup>g (150 psig)

Maximum Working Temperature : 225°C

### Suitable For

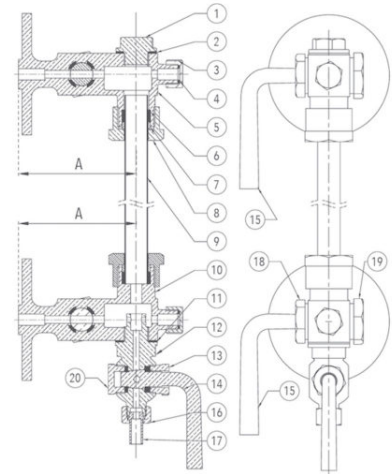
Steam, Water



### Materials

P.No.	Name of Part	Material of Construction	Specification	Quantity
1	Plug	Bronze	IBR 282 (a) (iv) Gr. B	1
2	Gasket	Steam Jointing Sheet	IS 2712 Gr. W/3	1
3	Lock Nut	Bronze	IBR 282 (a) (iv) Gr. B	2
4	Gasket	Steam Jointing Sheet	IS 2712 Gr. W/3	2
5	Upper Arm	Bronze	IBR 282 (a) (iv) Gr. B	1
6	Gland Packing	Graphite Asbestos	IS 4687	-
7	Gland	Bronze	IBR 282 (a) (iv) Gr. B	2
8	Gland Nut	Bronze	IBR 282 (a) (iv) Gr. B	2
9	Glass Tube*	Toughened Glass	- - -	1
10	Lower Arm	Bronze	IBR 282 (a) (iv) Gr. B	1
11	Gasket	Steam Jointing Sheet	IS 2712 Gr. W/3	1
12	Drain Valve	Bronze	IBR 282 (a) (iv) Gr. B	1
13	Lock Nut	Bronze	IBR 282 (a) (iv) Gr. B	1
14	Handle	Bronze	IBR 282 (a) (iv) Gr. B	1
15	Handle	Bronze	IBR 282 (a) (iv) Gr. B	2
16	Union Nut	Bronze	IBR 282 (a) (iv) Gr. B	1
17	Tail Pipe	Bronze	IBR 282 (a) (iv) Gr. B	1
18	Lock Nut	Bronze	IBR 282 (a) (iv) Gr. B	2
19	Bottom Nut	Bronze	IBR 282 (a) (iv) Gr. B	2
20	Bottom Nut	Bronze	IBR 282 (a) (iv) Gr. B	1

\* Glass Tube is not provided with this product.



### Sizes / Dimensions

Size (Inches)	Size (mm)	A
1/2	15	77
3/4	20	96