

## 1052 Bronze Parallel Slide Blow Off Valve (Flanged) <sup>I.B.R</sup>

### Salient Features

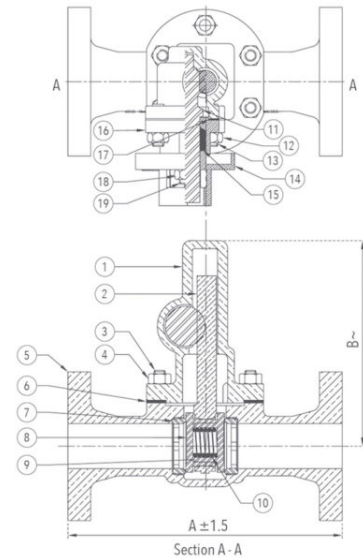
- Flanged Ends to BS 10 Table 'H'.
- Maintains fluid tightness and easy in operation because of sliding action of discs.
- Discs are kept in close contact with body rings by means of a spring when the valve is under pressure.
- Premium Quality Lubricated Gland Packing.
- Bolted Bonnet.
- Valve is operated by means of Rack and Pinion arrangement, in such a manner that valve is opened fully with half turn of the box key.
- Gland forms a locking guard which prevents removal of the key unless the valve is closed.

Test Pressure (Hydrostatic) :  
Shell : 35.15 kg/cm<sup>2</sup>g (500 psig)  
Working Pressure (Steam) : 17.58 kg/cm<sup>2</sup>g (250 psig)  
Maximum Working Temperature : 225°C

**Suitable For**  
Steam, Water

### Materials

P.No.	Name of Part	Material of Construction	Specification	Quantity
1	Bonnet	Bronze	IBR 282 (a) (iv) Gr. B	1
2	Rack	Bronze	IBR 282 (a) (iv) Gr. B	1
3	Studs	Alloy Steel	ASTM A193 Gr. B7	As Reqd.
4	Nuts	H.T Steel	ASTM A194 Gr. 2H	As Reqd.
5	Body	Bronze	IBR 282 (a) (iv) Gr. B	1
6	Gasket	Steam Joining Sheet	IS 2712 Gr. W/3	1
7	Body Seat Ring	Stainless Steel	ASTM A 276 Type 410	1
8	Male Disc	Stainless Steel	ASTM A 276 Type 410	1
9	Female Disc	Stainless Steel	ASTM A 276 Type 410	1
10	Spring	Stainless Steel	IS 4454 Part 4 Gr. 2	1
11	Pinion	Stainless Steel	ASTM A 276 Type 410	1
12	Nuts	H.T. Steel	ASTM A194 Gr. 2H	As Reqd.
13	Studs	Alloy Steel	ASTM A193 Gr. B7	As Reqd.
14	Gland	Bronze	IBR 282 (a) (iv) Gr. B	1
15	Gland Packing	Graphited Asbestos	IS 4687	-
16	Stuffing Box	Bronze	IBR 282 (a) (iv) Gr. B	1
17	Gasket	Steam Joining Sheet	IS 2712 Gr. W/3	1
18	Nuts	H.T. Steel	ASTM A194 Gr. 2H	As Reqd.
19	Studs	Alloy Steel	ASTM A193 Gr. B7	As Reqd.



### Sizes / Dimensions

Size (Inches)	Size (mm)	A ±1.5	B ~
1	25	169	138
1 1/4	32	178	157
1 1/2	40	190	204
2	50	206	206

~ ±10